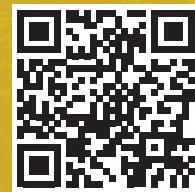




How to use



DRU1215A15

Instructions for use & Warranty

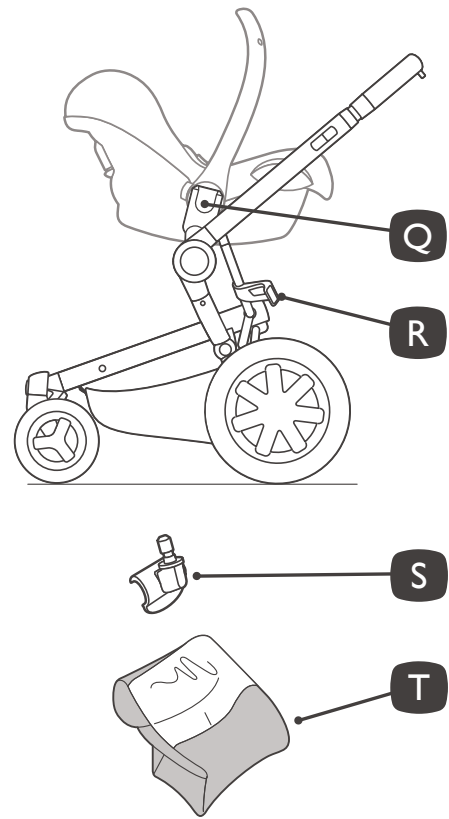
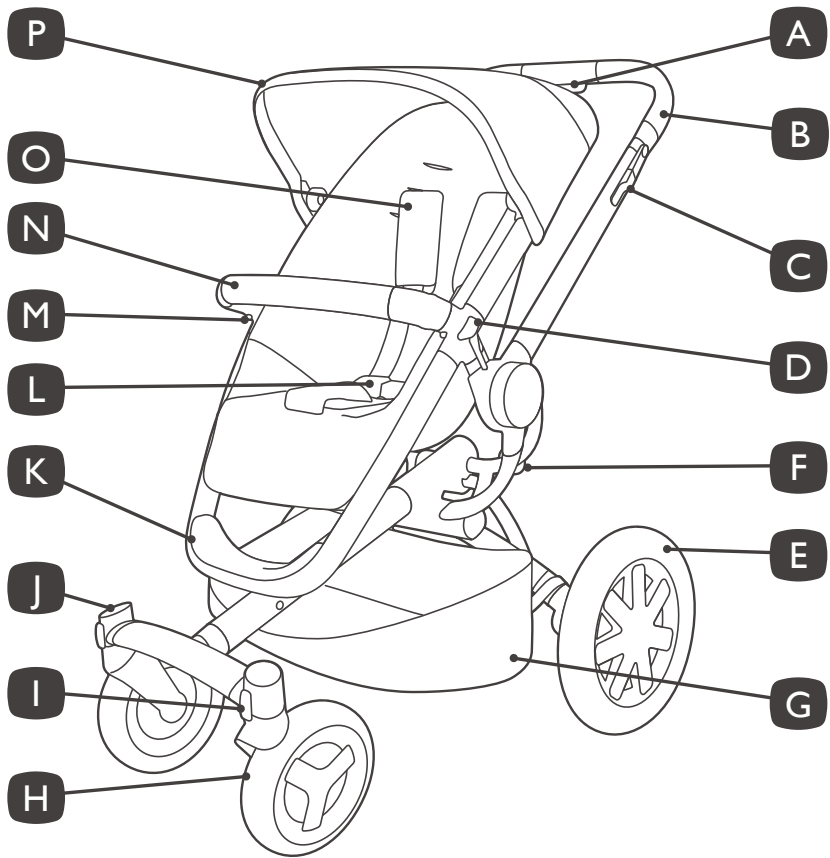
A bit of wonder

Around every corner



Buzz Xtra





### Use

- Preparing for use **10**
- Using **14**
- Cleaning **21**
- Accessories **23**
- Dimensions **25**

### Utilisation

- Instructions d'utilisation **10**
- Utilisation **14**
- Nettoyage **21**
- Accessoires **23**
- Dimensions **25**

### Gebrauch

- Vorbereitung **10**
- Gebrauch **14**
- Reinigung **21**
- Zubehör **23**
- Abmessungen **25**

### Gebruik

- Gebruiksklaarmaken **10**
- Gebruik **14**
- Reiniging **21**
- Accessoires **23**
- Afmetingen **25**

### Uso

- Antes de usar **10**
- Uso **14**
- Limpieza **21**
- Accesorios **23**
- Dimensiones **25**

### Uso

- Predisporre all'uso **10**
- Utilizzo **14**
- Pulizia **21**
- Accessori **23**
- Poggiapiedi **25**

### Utilização

- Preparar para utilizar **10**
- Utilizar **14**
- Limpar **21**
- Accessórios **23**
- Dimensões **25**

### 사용

- 사용 준비 **10**
- 사용 **14**
- 청소 **21**
- 부속품 **23**
- 무게와 치수 **25**

- Handlebar adjustment button **A**
- Handlebar **B**
- Lock button for folding **C**
- Adjustment and release button **D**
- Rear wheel **E**
- Buggyboard attachment point **F**
- Shopping basket **G**
- Front wheel **H**
- Swivel wheel block **I**
- Front wheel module **J**
- Footrest **K**
- Safety harness **L**
- Safety bar **M**
- Safety bar release button **N**
- Belt pad **O**
- Sun canopy **P**
- Adapters **Q**
- Transport hook **R**
- Parasol clip **S**
- Raincover **T**

- Bouton de réglage du guidon **A**
- Guidon **B**
- Bouton de verrouillage pour le pliage **C**
- Bouton de réglage et de déverrouillage **D**
- Roue arrière **E**
- Point d'attache de la planche pour poussette **F**
- Panier **G**
- Roue avant **H**
- Blocage de la roue pivotante **I**
- Module de la roue avant **J**
- Repose-pieds **K**
- Harnais de sécurité **L**
- Module de la roue avant **M**
- Arceau de maintien **N**
- Protège-harnais **O**
- Canopy **P**
- Adaptateurs **Q**
- Grochet de transport **R**
- Clip ombrelle **S**
- Habillage pluie **T**

- Verstelltaste Schieber **A**
- Schieber **B**
- Verriegelungstaste zum Zusammenklappen **C**
- Verstell- und Entriegelungsknopf Sitz **D**
- Hinterrad **E**
- Buggyboard Befestigungspunkt **F**
- Einkaufskorb **G**
- Vorderrad **H**
- Schwenkadarretierung **I**
- Vorderradmodul **J**
- Fußstütze **K**
- Sicherheitsgurt **L**
- Entriegelungsknopf für Sicherheitsbügel **M**
- Sicherheitsbügel **N**
- Gurtpolster **O**
- Sonnenverdeck **P**
- Adapter **Q**
- Transporthaken **R**
- Sonnenschirm Clip **S**
- Regenverdeck **T**

- Verstelknop duwer **A**
- Duwer **B**
- Vergrendelknop invouwen **C**
- Verstel-en ontgrendelknop **D**
- Achterwiel **E**
- Buggyboard bevestigingspunt **F**
- Boodschappenmand **G**
- Voorwiel **H**
- Zwenkblokkering **I**
- Voorwielmodule **J**
- Voetensteun **K**
- Veiligheidsharnas **L**
- Ontgrendelknop veiligheidsbeugel **M**
- Veiligheidsbeugel **N**
- Gordelbeschermmer **O**
- Zonnekap **P**
- Adapters **Q**
- Transporthaak **R**
- Parasolclip **S**
- Regenhoes **T**

- Botón de ajuste del manillar **A**
- Manillar **B**
- Seguro de plegado **C**
- Botón de ajuste y desbloqueo **D**
- Rueda trasera **E**
- Puntos de anclaje del patinete **F**
- Cestilla **G**
- Rueda delantera **H**
- Bloqueo de las ruedas pivotantes **I**
- Bloque de ruedas delanteras **J**
- Reposapiés **K**
- Arnés de seguridad **L**
- Botón de desbloqueo del apoyabrazos **M**
- Apoyabrazos **N**
- Protege Arnés **O**
- Capota **P**
- Adaptadores **Q**
- Gancho de transporte **R**
- Clip de sombrilla **S**
- Burbuja impermeable **T**

- Pulsante di regolazione del maniglione **A**
- Maniglione **B**
- Pulsante di blocco per chiudere **C**
- Pulsante di regolazione e sblocco **D**
- Ruota posteriore **E**
- Punto di aggancio della pedana **F**
- Cestello **G**
- Ruota anteriore **H**
- Blocco ruota piroettante **I**
- Modulo ruota anteriore **J**
- Poggiapiedi **K**
- Cintura di sicurezza **L**
- Pulsante di sblocco salvabimbo **M**
- Salvabimbo **N**
- Protezioni per cinture **O**
- Capottina **P**
- Adattatori **Q**
- Gancio per il trasporto **R**
- Clip per ombrellino **S**
- Parapioggia **T**

- Botão de ajuste do punho **A**
- Punho **B**
- Botão de ajuste do assento **C**
- Botão de ajuste e desengate **D**
- Roda traseira **E**
- Pontos de encaixe da plataforma **F**
- Cesto de compras **G**
- Roda dianteira **H**
- Bloco de rodas giratórias **I**
- Módulo de rodas dianteiras **J**
- Apoio para os pés **K**
- Arnês **L**
- Botão de desengate da barra de segurança **M**
- Barra de segurança **N**
- Apoio para o cinto **O**
- Capota de sol **P**
- Adaptadores **Q**
- Gancho de transporte **R**
- Grampo de fixação da sombrinha **S**
- Cobertura para chuva **T**

- 핸들바 조절 버튼 **A**
- 핸들바 **B**
- 장착 커넥션 포인트 **C**
- 인서트 분리 및 장착버튼 **D**
- 리어휠 **E**
- 버기보드 장착 위치 **F**
- 쇼핑바스켓 **G**
- 프론트휠 **H**
- 프론트휠 회전 잠금장치 **I**
- 프론트휠 모듈 **J**
- 풋레스트 **K**
- 안전벨트 **L**
- 세이프티바 분리 버튼 **M**
- 세이프티바 **N**
- 안전벨트 패드 **O**
- 썬캐노피 **P**
- 어댑터 **Q**
- 폴딩 고정 후크 **R**
- 파라솔 클립 **S**
- 레인커버 **T**

## Użytkowanie

Przygotowanie do użytkowania	10
Użytkowanie	14
Czyszczenie	21
Akcesoria	23
Wymiary i wagi	25

## Χρήση

Προετοιμασία για χρήση	10
Χρήση	14
Καθαρισμός	21
Αξεσουάρ	23
Διαστάσεις	25
Ύψος	25

## Использование

Подготовка к использованию	10
Использование	14
Очистка	21
Аксессуары	23
Размеры	25

## Používání

Příprava pro použití	10
Použití	14
Čištění	21
Příslušenství	23
Rozměry	25

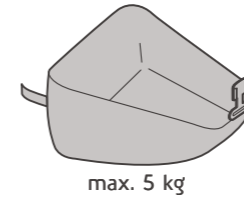
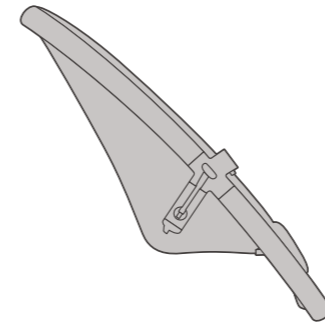
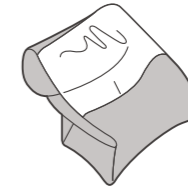
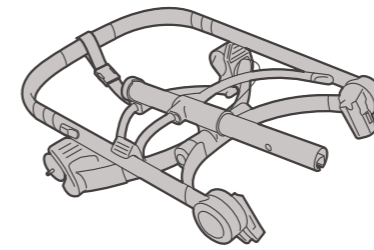
Przycisk regulacji wysokości rączki	A
Rączka	B
Przycisk blokady składania	C
Przycisk regulacji i mocowania siedziska	D
Tyłne koło	E
Łącznik dostawki do wózka	F
Koszyk na zakupy	G
Przednie koło	H
Blokada obrotowego koła	I
Moduł przedniego koła	J
Podnóżek	K
Pasy bezpieczeństwa	L
Przyciski do wypinania pałąka bezpieczeństwa	M
Pałąk bezpieczeństwa	N
Ochroniacz na pas	O
Daszek przeciwsłoneczny	P
Adaptery do fotelika i gondoli	Q
Zaczepek transportowy	R
Uchwyt parasola	S
Ostona przeciwdeszczowa	T

Κουμπί ρύθμισης λαβής	A
Λαβή	B
Κουμπί ασφάλισης για δίπλωμα	C
Κουμπί ρύθμισης και απασφάλισης	D
Πίσω ρόδα	E
Σημείο συνδεσης	F
τροχοσανίδας	G
Καλάθι για ψώνια	H
Μπροστινή ρόδα	I
Μονάδα περιστρεφόμενης ρόδας	J
Μονάδα μπροστινής ρόδας	K
Υποστήριγμα ποδιών	L
Ζώνες δεσίματος παιδιού	M
Κουμπί απασφάλισης	N
ράβδου ασφαλείας	O
Ράβδος ασφαλείας	P
Επιμείδα ζώνης	Q
Τέντα για τον ήλιο	R
Προσαρμογείς	S
Άγκιστρο μεταφοράς	T
Κλιπ ομπρέλας ήλιου	
Αδιάβροχο	

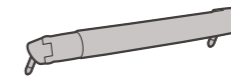
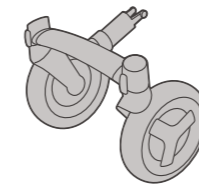
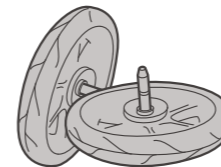
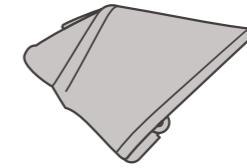
Кнопка регулировки ручки	A
Ручка	B
Кнопка блокировки складывания	C
Спускочная и регулировочная кнопка сиденья	D
Заднее колесо	E
Место крепления приставки к коляске	F
Корзина для покупок	G
Переднее колесо	H
Блокировка	I
вращающегося колеса	J
Модуль переднего колеса	K
Подставка для ног	L
Фиксирующие ремни безопасности	M
Кнопка освобождения защитной дуги	N
Защитная дуга	O
Прокладка ремня	P
Капюшон от солнца	Q
Адаптеры	R
Транспортный крюк	S
Зажим зонтика	T
Дождевик	

Tlačítko pro nastavení rukojeti	A
Rukojeť	B
Tlačítko zámku pro složení	C
Tlačítko pro nastavení a uvolnění	D
Zadní kolo	E
Místo k přichycení stupátka	F
Nákupní košík	G
Přední kolo	H
Zarážka otočného kolečka	I
Konstrukce předního kola	J
Opěrka nohou	K
Bezpečnostní pásy	L
Tlačítko pro uvolnění bezpečnostního madla	M
Bezpečnostní madlo	N
Polstrování pásu	O
Sluneční stříška	P
Adaptéry	Q
Přepravní háček	R
Držák na slunečník	S
Pláštěnka	T



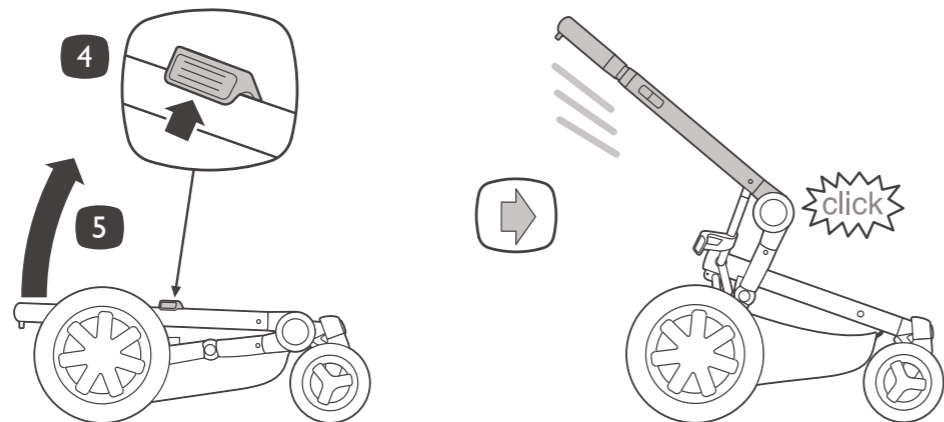
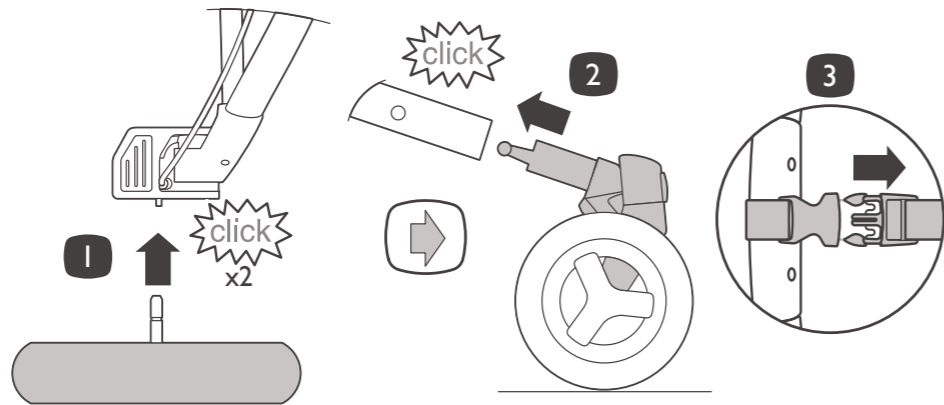


max. 5 kg

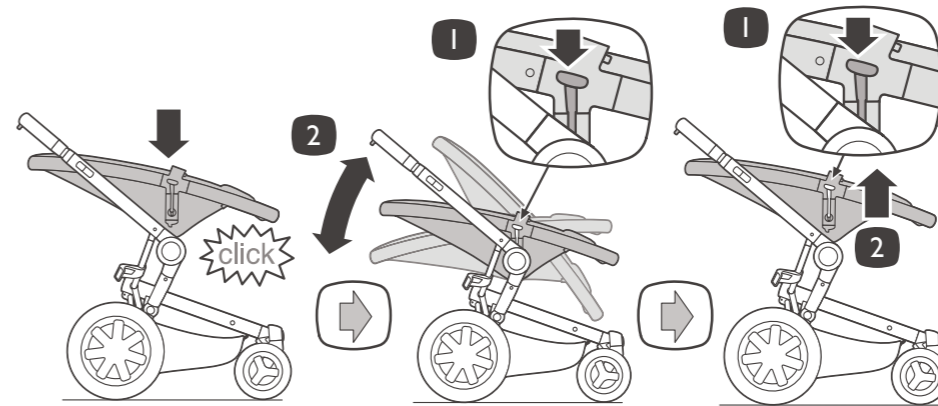
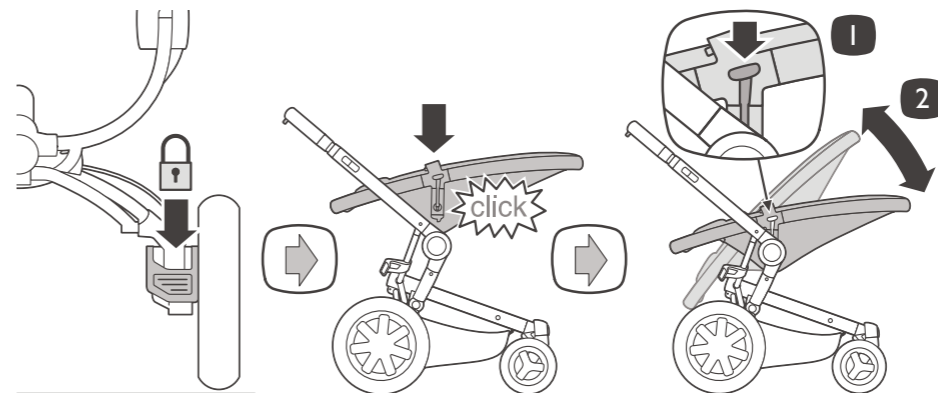


Preparation  
 Préparation  
 Vorbereitung  
 Voorbereiding  
 Preparación  
 Preparazione  
 Preparação  
 준비  
 Przygotowanie  
 Προετοιμασία  
 Подготовка  
 Příprava

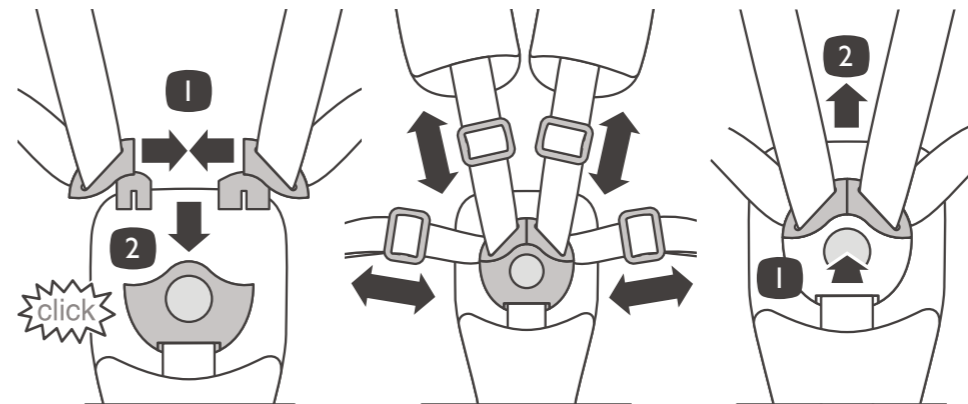
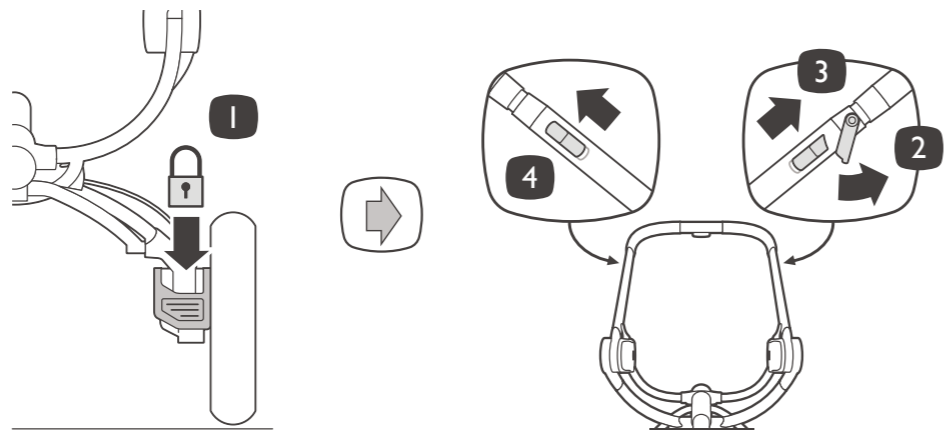
Preparing for use / Unfolding  
 Instructions d'utilisation / Dépliage  
 Vorbereitung / Auseinanderklappen  
 Gebruiksklaar maken / Uitvouwen  
 Antes de usar / Desplegado  
 Predisporre all'uso / Apertura  
 Preparar para utilizar / Desdobrar  
 유모차 사용 준비 / 휠 장착 유모차 펴기  
 Przygotowanie do użytkowania /  
 Rozkładanie  
 προετοιμασία για χρήση / Ξεδίπλωμα  
 Подготовка к использованию /  
 Раскладывание  
 Příprava k použití / Rozložení



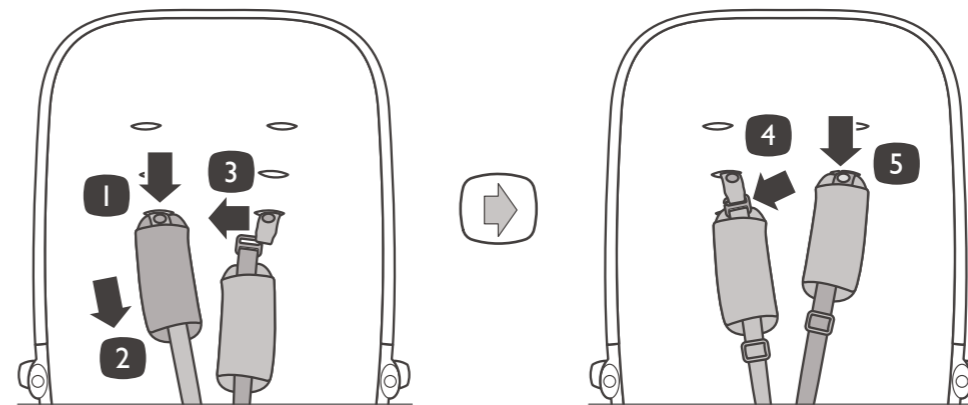
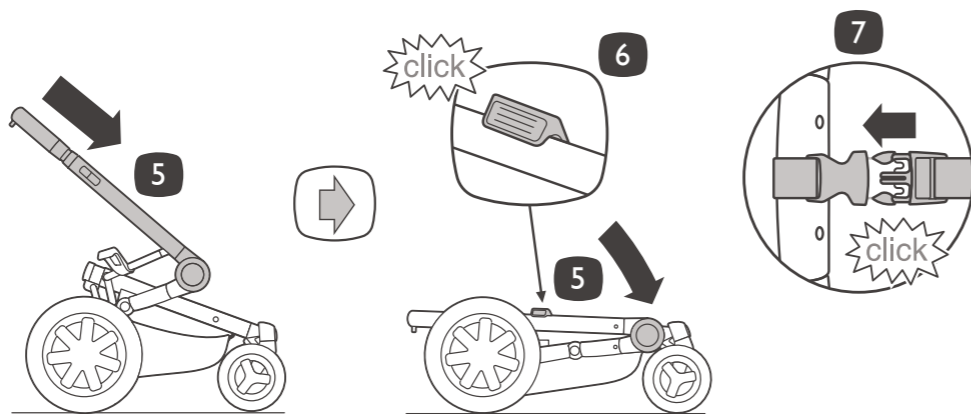
Preparing for use / Adjustable seat recline  
 Instructions d'utilisation / Inclinaison du siège réglable  
 Vorbereitung / Befestigen und Einstellen des Sitzes  
 Gebruiksklaar maken / Zithoek verstellen  
 Antes de usar / Regulación del reclinado de la hamaca  
 Predisporre all'uso / Reclinazione della seduta  
 Preparar para utilizar / Reclinar cadeira ajustável  
 퀴니버즈 시트 / 장착과 시트의 조절  
 Przygotowanie do użytkowania / Regulacja  
 nachylenia siedziska  
 Προετοιμασία για χρήση / Ρυθμιζόμενη  
 ανάκλιση καθίσματος  
 Подготовка к использованию /  
 Регулируемый наклон сиденья  
 Příprava k použití / Nastavení úhlu sklopení sedadla



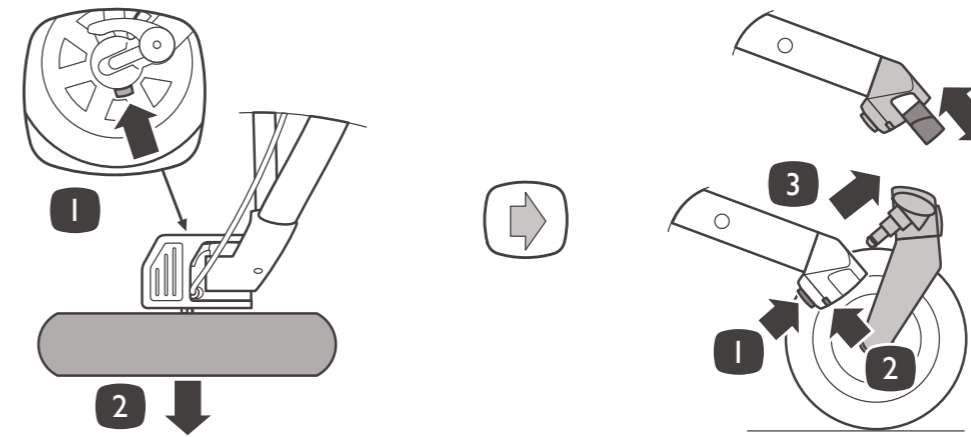
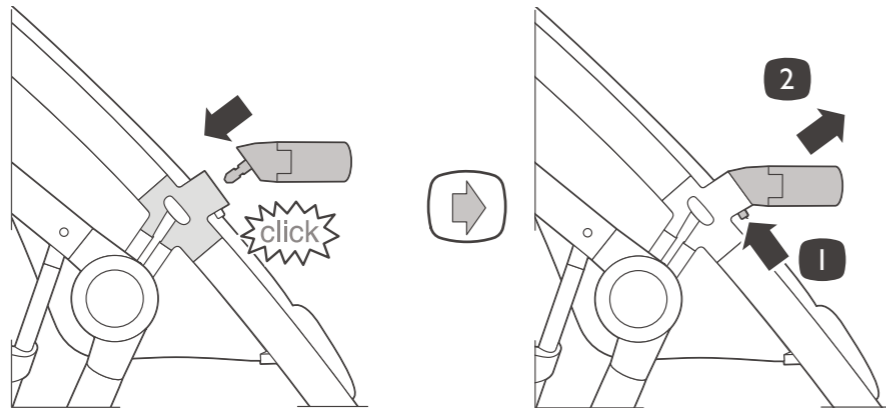
Preparing for use / Folding  
 Instructions d'utilisation / Pliage  
 Vorbereitung / Zusammenklappen  
 Gebruiksklaar maken / Invouwen  
 Antes de usar / Plegado  
 Predisporre all'uso / Chiusura  
 Preparar para utilizar / Dobrar  
 유모차 사용 준비 / 유모차 접기  
 Przygotowanie do użytkowania / Składanie  
 Προετοιμασία για χρήση / Δίπλωμα  
 Подготовка к использованию / Складывание  
 Příprava k použití / Složení



Harness  
 Harnais  
 Gurtsystem  
 Harnasgordel k  
 Arnès  
 Cinture di sicurezza  
 Arnês  
 접이식 유모차  
 Uprząż  
 Ζώνες δεσίματος  
 Фиксирующие ремни  
 Pásy

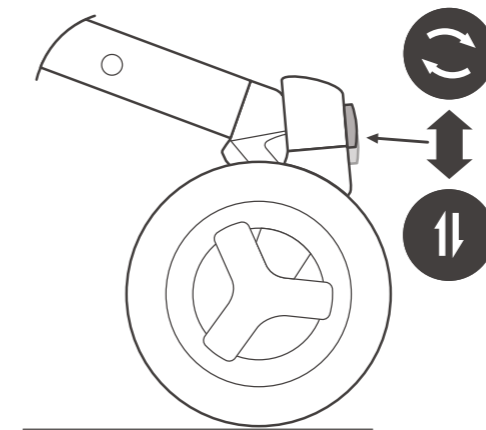
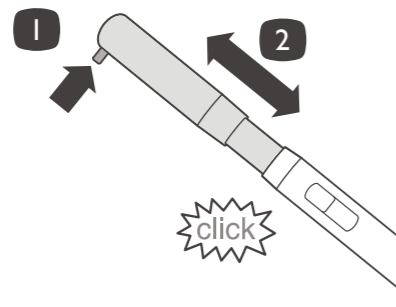


Safety bar  
 Arceau de maintien  
 Sicherheitsbügel  
 Veiligheidsbeugel  
 Apoyabrazos  
 Salvabimbo  
 Barra de segurança  
 세이프티바  
 Półka bezpieczeństwa  
 Ράβδος ασφαλείας  
 Защитная дуга  
 Bezpečnostní madlo

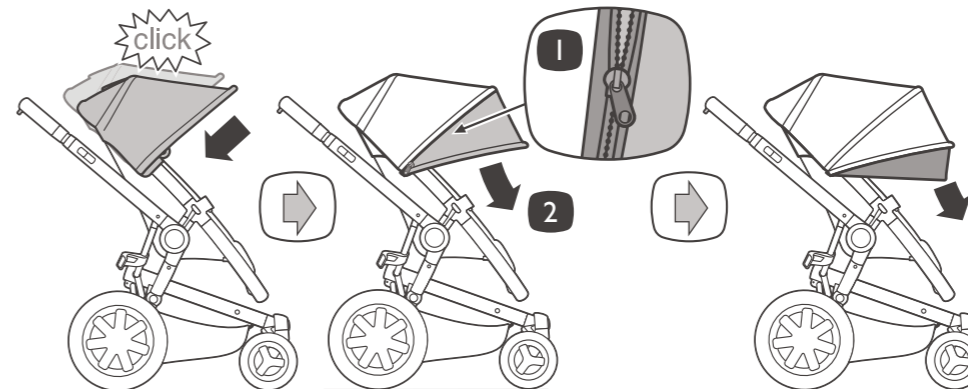
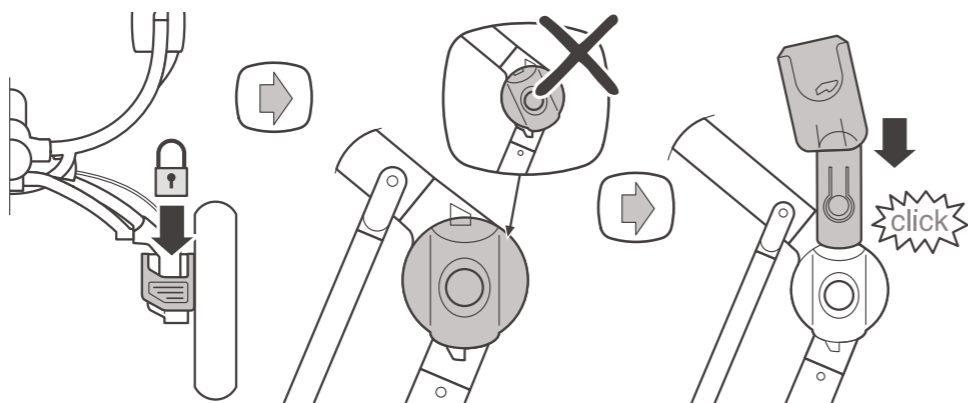


Wheels  
 Roues  
 Räder  
 Wielen  
 Ruedas  
 Ruote  
 Rodas  
 바퀴  
 Κοζα  
 Ρόδες  
 Колеса  
 Kola

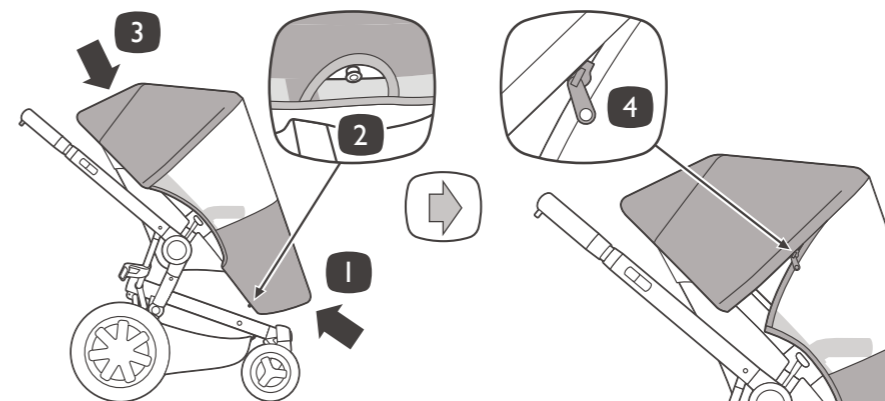
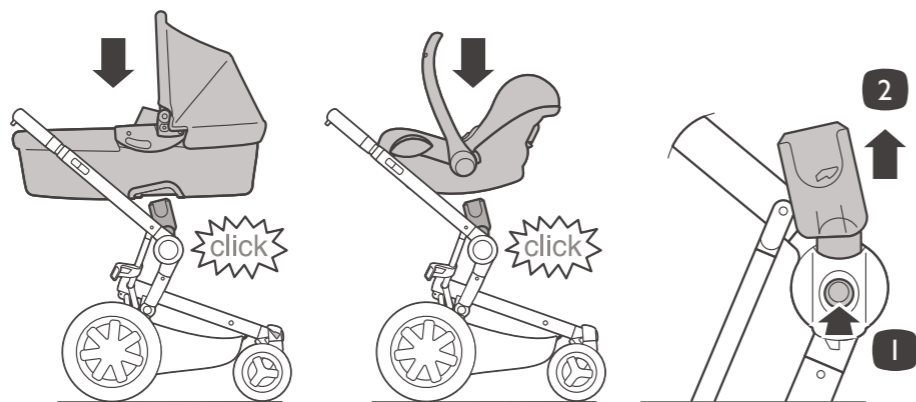
Pushbar  
 Régtable  
 Schieber  
 Duwer  
 Manillar  
 Maniglione  
 Punho  
 풋레스트  
 Rączka do pchania  
 Λαβή  
 регулируемая ручка  
 Rukojeť



Adapters  
 Adaptateurs GRO+  
 Adapter  
 Adapters  
 Adaptadores  
 Adattatori  
 Adaptadores  
 어댑터  
 Łączniki  
 ροσαρμογείς  
 Адаптеры  
 Adaptéry



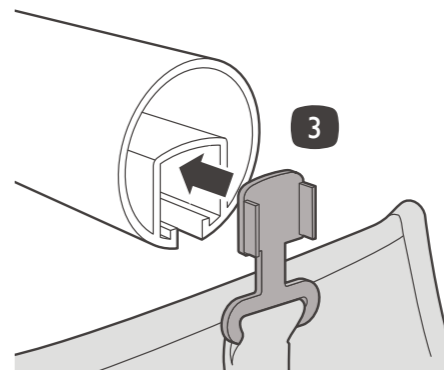
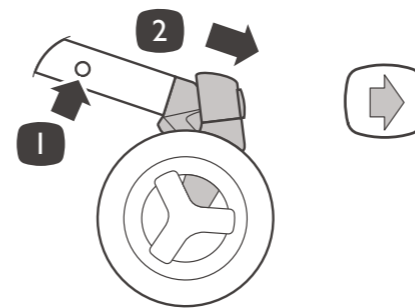
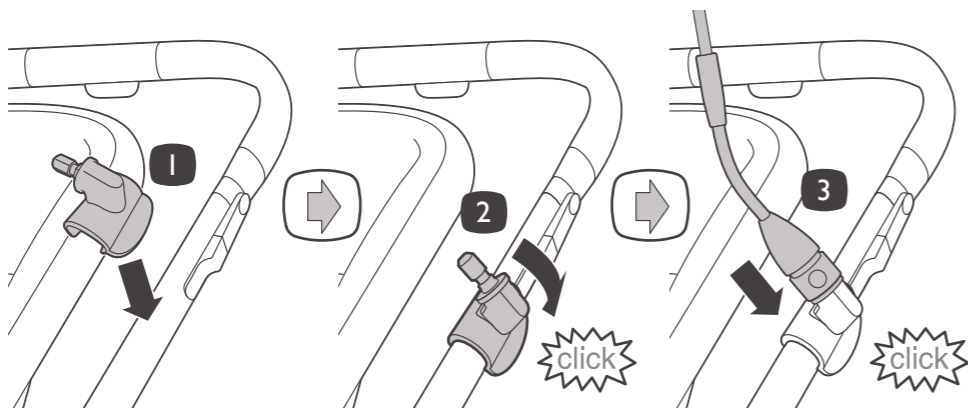
Suncanopy  
 Canopy  
 Sonnenverdeck  
 Zonnekap  
 Capota  
 Capottina  
 Capota de sol  
 썬캐노피  
 Daszek przeciwsłoneczny  
 Τέντα για τον ήλιο  
 Капюшон от солнца  
 Sluneční stríska



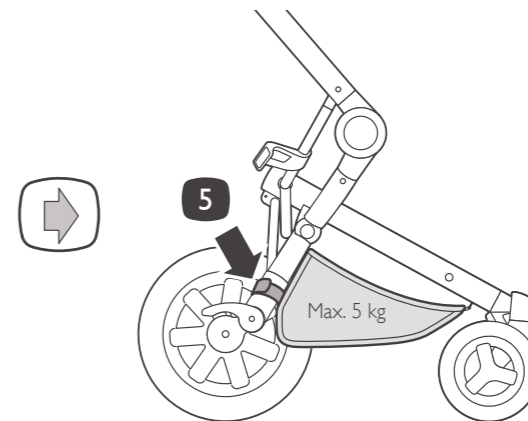
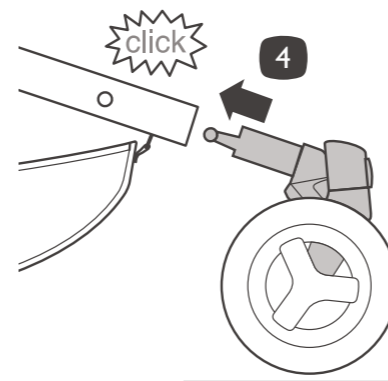
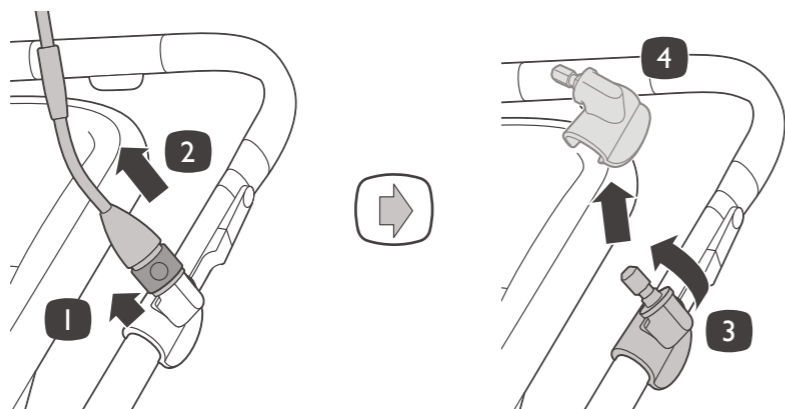
Raincover  
 Habillage pluie  
 Regenverdeck  
 Regenhoes  
 Burbuja de lluvia  
 Παρapioggia  
 Cobertura para chuva  
 레인커버  
 Osłona przeciwdeszczowa  
 Αδιάβροχο  
 Дождевик  
 Pláštěnka



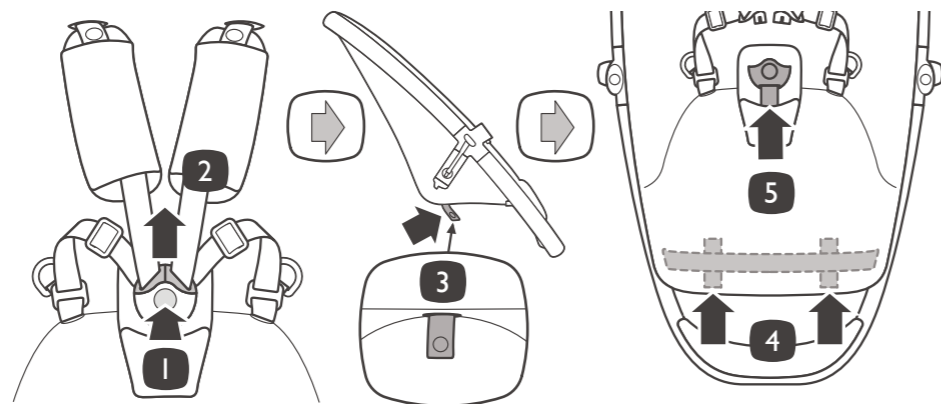
Parasol clip  
 Clip ombrelle  
 Sonnenschirm Clip  
 Parasolclip  
 Clip de sombrilla  
 Clip per ombrellino  
 Grampo de fixação da sombrinha  
 파라솔 클립  
 Uchwyt parasola  
 Κλιπ ομπρέλας ήλιου  
 Зажимзонтника  
 Držák na slunečník



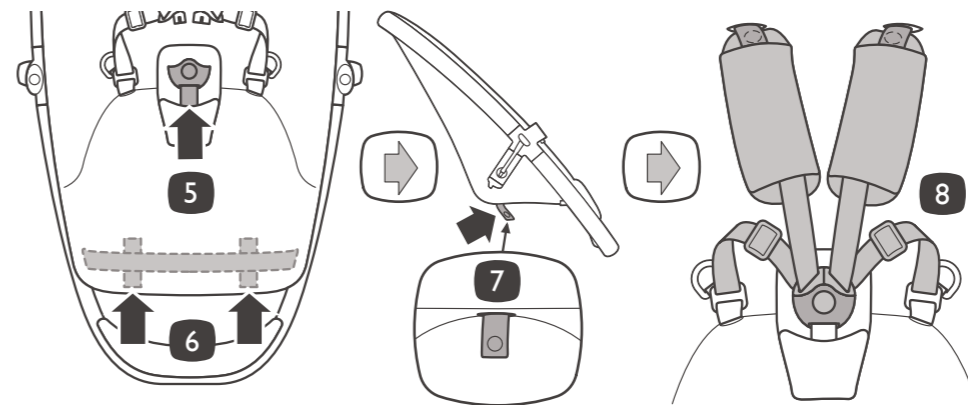
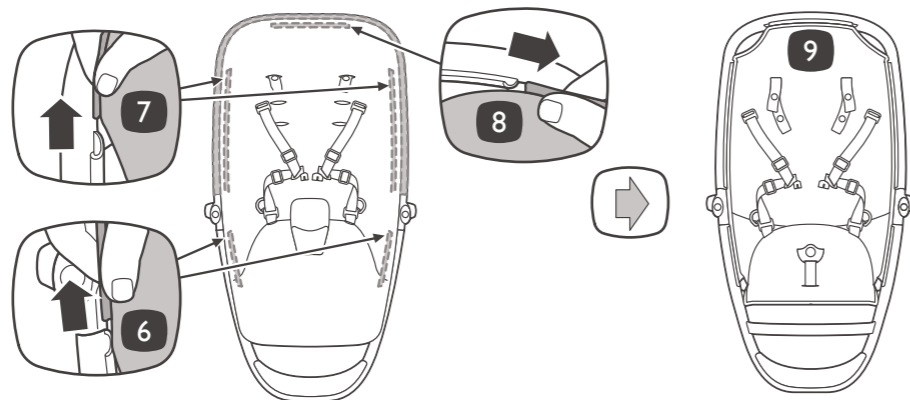
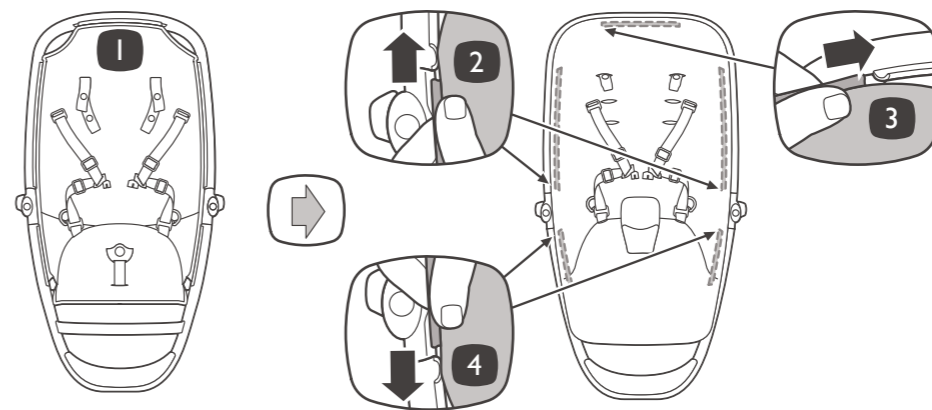
Shopping basket  
 Panier  
 Einkaufskorb  
 Boodschappenmand  
 Cestilla  
 Cestello  
 Cesto de compras  
 쇼핑 바스켓  
 Koszyk na zakupy  
 Καλάθι  
 Корзина  
 Kosík



Seat / Cleaning - removing  
 Siège / Nettoyage - retrait  
 Sitz / Reinigung - entfernung  
 Zitje / Reiniging - verwijderen  
 Hamaca / Limpieza - Desmontaje  
 Seduta / Pulizia - smontaggio  
 Cadeira / Limpar - remover  
 퀴니버즈 / 시트의 관리 - 제거  
 Siedzisko / Czyszczenie - zdejmowanie  
 Κάθισμα / Καθαρισμός - αφαίρεση  
 Сиденье / Снятие  
 Sedadlo / Čištění - odmontování



Seat / To fit  
 Assise / Installer  
 Sitz / Montieren  
 Zitje / Plaatsen  
 Hamaca / Montaje  
 Seduta / Installazione  
 Assento / Montar  
 시트 / 장착 방법  
 Siedzisko / Montaż  
 Κάθισμα / Τοποθέτηση  
 Сиденье / чтобы прикрепить:  
 Sedadlo / Nasazení



Accessories / Exclusive (Optional)

Accessoires / Exclusifs

Zubehör / Exclusiv

Accessoires / Exclusief

Accesorios / Exclusivo

Accessori / Venduti separatamente

Acessórios / Não incluso

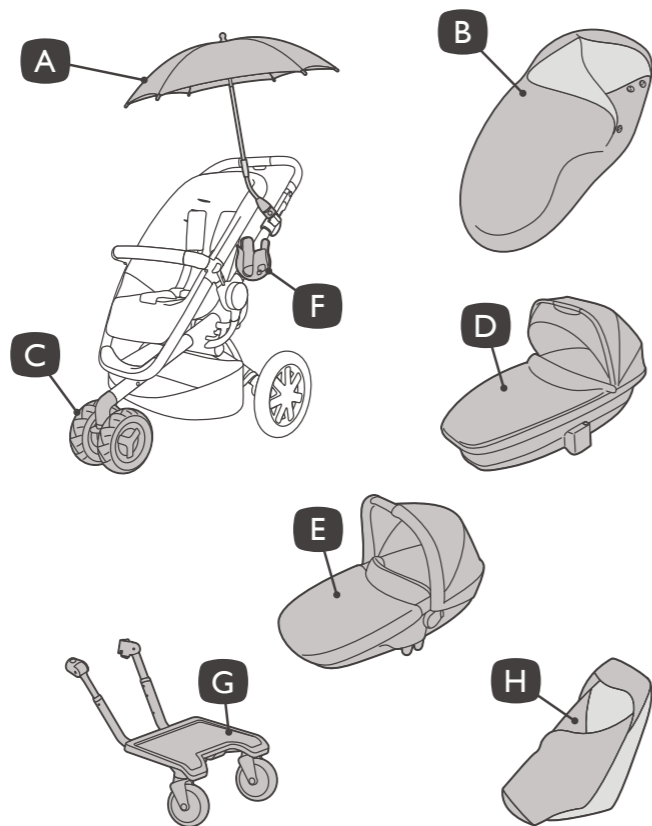
부속품 / 옵션

Akcesoria / Specjalne

Αξεσουάρ / Αποκλειστικά

Аксессуары / Исключительно

Príslusenství / Samostatný doplněk



## EN

- A Parasol
- B Footmuff
- C All terrain tyres
- D Foldable carrycot
- E Safety carrycot
- F Cup holder
- G Buggyboard
- H From birth inlay

## FR

- A Ombrelle
- B Coupe-vent
- C Pneus tout-terrain
- D Nacelle
- E Nacelle de sécurité
- F Porte-gobelet
- G Planche pour poussette
- H Incrustation du nouveau-né

## DE

- A Sonnenschirm
- B Windschutz
- C Geländereifen
- D Faltpbarer Kinderwagenaufsatz
- E Sicherheits-Babywanne
- F Becherhalter
- G Buggyboard
- H Neugeborenen-Einlage

## NL

- A Parasol
- B Voetenzak
- C Winter-/terreinbanden
- D Kinderwagenbak
- E Veiligheids kinderwagenbak
- F Bekerhouder
- G Buggyboard
- H Pasgeborene inleg

## ES

- A Sombrilla
- B Saquito cubrepies
- C Ruedas todoterreno
- D Cucco plegable
- E Capazo de seguridad
- F Portavasos
- G Patinete
- H Carátula del recién nacido

## IT

- A Ombrellino
- B Paravento
- C Ruote per tutti i tipi di terreno
- D Navicella
- E Navicella omologata auto
- F Porta-biberon
- G Pedana
- H Inlay neonato

## PT

- A Sombrinha
- B Saco térmico
- C Pneus de todos os terrenos
- D Alcofa compacta
- E Alcofa segurança
- F Porta-copos
- G Buggyboard
- H Inserir para recém-nascidos

## KO

- A 파라솔
- B 풋머프
- C 공기압 프론트휠
- D 프람바디/카 컷
- E 안전 카 컷
- F 컵홀더
- G 버기보드
- H 신생아를 위해 삽입

## PL

- A Sombrinha
- B Corta-vento lateral
- C Kółka terenowe
- D Gondola
- E Gondola bezpieczeństwa
- F Uchwyt na kubek
- G Dostawka do wózka
- H Wkładka dla noworodka

## EL

- A Ομπρέλα ήλιου
- B Αντιανεμικό
- C Λάστιχα παντός εδάφους
- D Αναδιπλούμενο Πορτ Μπεμπέ
- E Πορτ Μπεμπέ Ασφαλείας
- F Θήκη Ποτηριού
- G Τροχοσανίδα
- H Εισάγετε για νεογέννητα

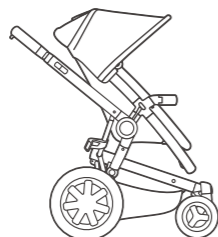
## RU

- A Зонтик
- B защита от ветра
- C Колеса "вездеходы"
- D люлька для крепления на коляску
- E безопасности люлька
- F Кубок держатель
- G Багги доски
- H Новорожденных вставки

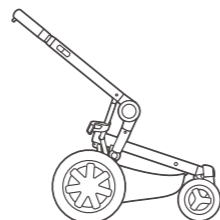
## CS

- A Slunečník
- B Ochrany proti větru
- C Pneumatikyvhodnéprovšechnytypyterénu
- D Hluboké lůžko
- E Bezpečnostní postýlka
- F Držák na láhev
- G Stupátko ke kočárku
- H Novorozence vložka

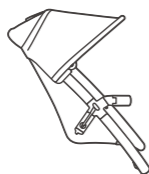
Dimensions / Weight  
 Dimensions / Poids  
 Abmessungen / Gewicht  
 Afmetingen / Gewicht  
 Dimensiones / Peso  
 Dimensioni / Peso  
 Dimensões / Peso  
 치수 / 무게  
 Wymiary i wagi / Waga  
 Διαστάσεις / βάρος  
 Размеры / вес  
 Rozměry / Váha



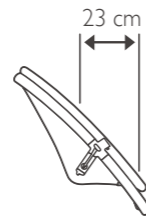
13.50 kg



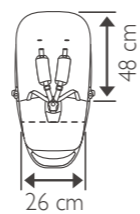
9.95 kg



3.55 kg

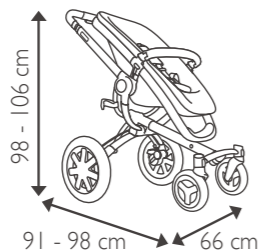


23 cm

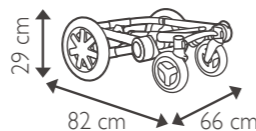


48 cm

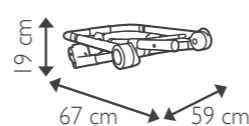
26 cm



91 - 98 cm 66 cm



29 cm 82 cm 66 cm



19 cm 67 cm 59 cm

Feel free to walk  
your way



## Safety and Maintenance

### **IMPORTANT KEEP THESE INSTRUCTIONS FOR FUTURE REFERENCE.**

#### **WARNING**

- Never leave your child unattended.
- Ensure that all the locking devices are engaged before use.
- To avoid injury ensure that your child is kept away when unfolding and folding this product.
- Do not let your child play with this product.
- Always use the restraint system. Rings for attaching an extra harness are on each side, beside the seat belt.
- Check that the pram body or seat unit or car seat attachment devices are correctly engaged before use.
- This product is not suitable for running or skating or any other sport activities.
- Not suitable for over night sleeping, your child may be at risk of serious harm or injury.
- Any load attached to the handle, backrest or sides affects the stability of the pram/pushchair.
- To avoid the risk of suffocation, keep all plastic bags and packaging out of reach of babies and young children.
- Raincover uses: Do not use in sunny weather because of excessive heat. Do not use the rain cover without the hood. Use only under adult supervision.
- Always check that the brake is fully engaged

before letting go of your stroller.

- Never let your child climb into or out of the stroller alone.
- The tyres may leave black marks on some surfaces (particularly smooth floors like parquet, laminate and linoleum).

## SAFETY INSTRUCTIONS

Our products have been carefully designed and tested to ensure your baby's safety and comfort. Complies with safety requirements – Tested in an approved laboratory in accordance with order no. 91-1292 – December 1991 – EN1888:2012.

1. This vehicle is intended for children from 6 months and up to 15 kg.
2. Never carry more than 1 child per place in the pushchair at a time.
3. Never lift the pushchair with the child inside it.
4. If the manufacturer of your pushchair recommends using it in combination with a carrycot or a car seat, then, the maximum weight for the combination is that indicated on the additional product.
5. If the manufacturer of your pushchair recommends using it in combination with a carrycot or car seat, always have them facing you.
6. Never use stairs or escalators with your child in the pushchair.
7. Always use the most recline position when used for new born babies.
8. The brake must always be on when putting the child in or taking him out. Always use the parking brake, even when standing still for only a few moments!
9. Only use accessories or spare parts sold or approved by the manufacturer. Using other accessories could be dangerous.

10. For buggies with accessories (depending on the version), please respect the maximum weight loads indicated below: Ex : Maximum permitted weight for the play tray 2 kg. Maximum permitted weight for the net bag 2 kg. Maximum permitted weight for the storage pocket 1 kg. Maximum permitted weight for the basket 2kg.

## CLEANING AND MAINTENANCE

- Maintain and clean the Quinny Buzz Xtra frequently.
- Clean the frame and shopping basket regularly using a damp cloth. Do not use abrasive cleaners.
- When it is raining, always use the raincover to protect the fabric cover.
- After using in the rain, wipe the pushchair with a soft, absorbent cloth.
- Remove the detachable wheels once a month. Clean the axles and treat them with a dry Teflon spray. Never use Vaseline, grease or silicon lubricants.

## WASTE SEPARATION

To help protect the environment, we kindly ask you to separate the packaging waste from the Quinny Buzz Xtra and at the end of its useful life to separate the components and dispose it properly.

## Warranty and Contact

### WARRANTY

Our 24 months warranty reflects our confidence in the high quality of our design, engineering, production and product performance. We confirm that this product was manufactured in accordance with the current European safety requirements and quality standards which are applicable to this product, and that this product is free from defects on materials and workmanship at the time of purchase.

Our 24 months warranty covers all manufacturing defects in materials and workmanship when used in normal conditions and in accordance with our user manual. To request repairs or spare parts under warranty for defects in materials and workmanship you must present your proof of purchase, made within the 24 months preceding the service request.

Our 24 months warranty does not cover damage caused by normal wear and tear, accidents, abusive use, negligence or the consequence of failing to comply with the user manual. Examples of normal wear and tear include wheels and fabric worn down by regular use and the natural breakdown of colors and materials over extended period of time and use.

What to do in case of defects:

Should problems or defects arise, your first point of contact is your Quinny dealer or retailer. Our 24 months Warranty is recognized by them (1). You must present your proof of purchase, made within the 24 months preceding the service request. It is easiest if you get your service request pre-approved by Quinny Service. In principle, we pay for shipment and for return freight connected to service requests under the warranty. Damage not covered by our warranty or on products outside of warranty can be handled at a reasonable fee.

This Warranty is in compliance with to European Directive 99/44/EG of 25 May 1999.

(1) Products purchased from retailers or dealers that remove or change labels or identification numbers are considered unauthorized. Products purchased from unauthorized retailers are also considered unauthorized. No warranty applies to these products since the authenticity of these products cannot be ascertained.

## Sécurité et Entretien

### IMPORTANT CONSERVER CES INSTRUCTIONS POUR CONSULTATION ULTÉRIEURE.

#### AVERTISSEMENT:

- Ne jamais laisser votre enfant sans surveillance.
- S'assurer que tous les dispositifs de verrouillage sont enclenchés avant utilisation.
- Pour éviter toute blessure, maintenir votre enfant à l'écart lors du dépliage et du pliage du produit.
- Ne pas laisser votre enfant jouer avec ce produit.
- Toujours utiliser le système de retenue.  
Des anneaux pour la fixation d'un harnais supplémentaire sont situés au niveau de la ceinture de maintien, de chaque côté.
- Vérifier que les dispositifs de fixation de la nacelle, du siège ou du siège-auto sont correctement enclenchés avant utilisation.
- Ne pas utiliser ce produit en faisant du jogging ou des promenades en rollers et toutes autres activités sportives.
- Ne convient pas pour de longue période de sommeil, votre enfant risquerait d'être en danger.
- Le fait d'accrocher une charge au poussoir, dossier ou côtés influe sur la stabilité du landau/de la poussette.
- Pour éviter les risques d'étouffement, conservez les sacs plastique de l'emballage hors de portée des bébés et des jeunes enfants.

- Utilisation de l'habillage-pluie:  
Ne pas utiliser en cas de temps ensoleillé, pour cause de chaleur excessive. Ne pas utiliser l'habillage pluie sans la capote. A utiliser sous la surveillance d'un adulte.
- Toujours vérifier que le frein est bien engagé avant de lâcher votre poussette.
- Ne jamais laisser votre enfant monter et descendre seul de la poussette.
- Les pneus peuvent laisser des traces noires sur certains sols (surtout les sols lisses comme les parquets, les laminés synthétiques, le linoléum, etc.).

## CONSIGNES DE SÉCURITÉ

Nos produits ont été conçus et testés avec soin pour la sécurité et le confort de votre enfant. Conforme aux exigences de sécurité – Testé en laboratoire agréé selon le décret n° 91-1292 – décembre 1991 – EN1888:2012.

1. Ce véhicule est conçu pour des enfants âgés de 6 mois et jusqu'à 15 kg.
2. Ne transportez jamais plus de 1 enfant par place à la fois dans votre poussette.
3. Ne soulevez jamais la poussette lorsque votre enfant y est installé.
4. Si le fabricant de votre poussette recommande une utilisation en combinaison avec une nacelle ou siège auto, dans ce cas, le poids maximum d'utilisation de la combinaison est celui indiqué sur le produit additionnel.
5. Si le fabricant de votre poussette recommande une utilisation en combinaison avec une nacelle ou un siège auto, placez-les toujours face à vous.
6. N'empruntez jamais d'escaliers ou escalators avec votre enfant dans la poussette.
7. Utilisez toujours la position la plus inclinée pour les nouveau-nés.
8. Utilisez toujours le frein lorsque la poussette est immobile, même si vous ne vous arrêtez qu'un instant! Le frein doit toujours être enclenché lors de l'installation et de l'enlèvement de l'enfant.
9. N'utilisez que des accessoires ou pièces de

rechanges vendus et approuvés par le fabricant. L'utilisation d'autres accessoires peut s'avérer dangereuse.

10. Pour les poussettes équipées d'accessoires (selon version), veillez à respecter les charges maximum indiquées ci-dessous : Ex :  
Charge maximale admise par la tablette 2 kg  
Charge maximale admise pour le filet 2 kg.  
Charge maximale admise par poche 1 kg.  
Charge maximale admise par le panier 2 kg.

## NETTOYAGE ET ENTRETIEN

- Entretenez et nettoyez votre poussette Quinny Buzz Xtra régulièrement.
- Nettoyez le châssis et le panier régulièrement avec un chiffon humide. N'utilisez pas de nettoyeurs agressifs.
- En cas de pluie, utilisez toujours un habillage pluie pour protéger les confections.
- Après utilisation sous la pluie, essuyez la poussette avec un chiffon doux absorbant.
- Enlevez les roues amovibles une fois par mois, nettoyez ensuite les axes et lubrifiez-les avec un aérosol au téflon sec. N'utilisez jamais de vaseline, de graisse ou de lubrifiants à base de silicone.

## TRI DES DECHETS

Dans le but de préserver l'environnement, nous vous prions de trier les emballages. Faites-aussi le tri des déchets à la fin de la durée de vie de la poussette Quinny Buzz Xtra.

## Garantie et Contact

### GARANTIE

Notre garantie de 24 mois reflète notre confiance dans la qualité supérieure de notre conception, ingénierie, production et la performance du produit. Nous garantissons que ce produit a été fabriqué conformément aux exigences de sécurité et normes de qualité actuelles européennes applicables à ce produit, et que ce produit est, au moment de l'achat, exempt de défaut de matériau et de fabrication.

Notre garantie de 24 mois couvre tous les défauts de matériau et de fabrication pour une utilisation dans des conditions normales et conformément à la notice. Pour demander des réparations ou des pièces de rechange sous garantie pour des défauts de matériau et de fabrication, vous devez présenter la preuve d'un achat effectué dans les 24 mois précédant la demande de service.

Notre garantie de 24 mois ne couvre pas les dommages causés par l'usure normale, les accidents, l'utilisation abusive, la négligence ou les conséquences d'un non-respect de la notice. Des exemples d'usure normale comprennent des roues et des tissus usés par l'utilisation régulière et la décomposition naturelle de couleurs et des matériaux au fil du temps et par une utilisation prolongée.

Que faire en cas de défauts :

Si des problèmes ou des défauts surviennent, le meilleur choix pour un service rapide est de consulter votre revendeur. Notre garantie de 24 mois est reconnue par eux (1). Vous devez présenter la preuve d'un achat effectué dans les 24 mois précédant la demande de service. Cela est plus facile si vous obtenez l'approbation au préalable de votre demande de service par le Service Quinny. En principe, nous payons le transport et le fret de retour pour des demandes de service sous garantie. Les dommages qui ne sont pas couverts par notre garantie peuvent être traités à un tarif raisonnable.

Cette Garantie est conforme à la Directive européenne 99/44/EG du 25 mai 1999.

(1) Les produits achetés auprès de détaillants ou de revendeurs qui ôtent ou changent les étiquettes ou les numéros d'identifications sont considérés comme non autorisés. Aucune garantie ne s'applique à ces produits puisque l'authenticité de ces produits ne peut pas être vérifiée.

## Sicherheit und Pflege

### WICHTIG BEWAHREN SIE DIESE GEBRAUCHS-ANWEISUNG FÜR SPÄTERES NACHLESEN GUT AUF.

#### WARNUNG

- Lassen Sie Ihr Kind nie unbeaufsichtigt.
- Vergewissern Sie sich vor Gebrauch, dass alle Verriegelungen eingerastet sind.
- Damit Ihr Kind nicht verletzt wird, sollten Sie darauf achten, dass Ihr Kind nicht in der Nähe ist, wenn Sie das Produkt aufklappen oder zusammenklappen.
- Lassen Sie Ihr Kind nicht mit dem Produkt spielen.
- Nutzen Sie immer das Gurtsystem. Die zusätzlichen Befestigungsringe befinden sich auf jeder Seite im Bereich des Beckengurts.
- Vergewissern Sie sich vor der Verwendung, dass der Wagen oder der Sitz oder die Befestigungselemente des Autositzes korrekt eingerastet sind.
- Das Produkt ist nicht zum Joggen oder Skaten oder jeglichen anderen sportlichen Aktivitäten geeignet.
- Eignet sich nicht als Schlafbettchen für die Nacht, da das Risiko einer Verletzung oder Schädigung Ihres Kindes besteht.
- Jegliche Lasten, die am Schieber, der Rückenlehne oder an den Seiten angehängt werden, beeinträchtigen die Stabilität des Sport-/

Kinderwagens.

- Um die Gefahr einer Erstickung zu vermeiden, sind Kunststoffhüllen außerhalb der Reichweite von Babys und Kleinkindern aufzubewahren.
- Verwendung des Regenschutzes: Verwenden Sie diesen aufgrund der hohen Wärmewirkung nicht bei hoher Sonneneinstrahlung. Verwenden Sie den Regenschutz nicht ohne die Haube. Nur unter Aufsicht eines Erwachsenen verwenden.
- Vergewissern Sie sich stets, dass die Bremse festgestellt ist, bevor Sie Ihren Kinderwagen loslassen.
- Lassen Sie Ihr Kind nie alleine in den Kinderwagen klettern bzw. hinausklettern.
- Die Reifen können auf einigen Fußböden (vor allem auf glatten Böden wie Parkett, Kunststofflaminat, Linoleum usw.) schwarze Streifen hinterlassen.



## SICHERHEITSVORSCHRIFTEN

Unsere Produkte wurden sorgfältig hergestellt und getestet, um die Sicherheit und den Komfort Ihres Kindes zu gewährleisten. Entspricht den Sicherheitsanforderungen – Getestet in einem zugelassenen Laboratorium gemäß Richtlinie 91-1292 – Dezember 1991 – EN1888:2012.

1. Dieser Wagen ist für Kinder ab einem Alter von 6 Monaten und mit einem Gewicht bis zu 15 kg bestimmt.
2. Transportieren Sie nie mehr als 1 Kind gleichzeitig im Wagen.
3. Heben Sie den Wagen niemals an, wenn sich Ihr Kind darin befindet.
4. Sollte der Hersteller Ihres Kinderwagens die Verwendung in Kombination mit einem Kinderwagenaufsatz oder einem Kinderautositz empfehlen, ist die maximale Gewichtsangabe des zusätzlichen Produkts für den Einsatz der Produktkombination maßgeblich.
5. Sollte der Hersteller Ihres Kinderwagens die Verwendung in Kombination mit einem Kinderwagenaufsatz oder einem Kinderautositz empfehlen, platzieren Sie diesen immer zu Ihnen zugewandt.
6. Steigen Sie keine Treppen oder Rolltreppen mit Ihrem Kind im Wagen.
7. Benutzen Sie bei neugeborenen Babys stets die am weitesten zurückgeneigte Position.
8. Stellen Sie immer die Bremse fest, wenn Sie

Ihr Kind in den Wagen setzen oder es aus dem Wagen nehmen. Stellen Sie immer die Bremse fest, auch wenn Sie nur kurz anhalten!

9. Verwenden Sie ausschließlich vom Hersteller zugelassenes Zubehör. Die Verwendung anderer Zubehörteile könnte sich als gefährlich erweisen.
10. Bitte halten Sie bei Wagen mit Zubehör (je nach Modell) die folgenden Angaben für das maximale Gewicht ein: maximal zugelassenes Gewicht für den Spieltisch 2 kg. Maximal zugelassenes Gewicht für das Netz 2 kg. Maximal zugelassenes Gewicht pro Tasche 1 kg. Maximal zugelassenes Gewicht für den Korb 2 kg.

## REINIGUNG UND WARTUNG

- Warten und reinigen Sie den Quinny Buzz Xtra häufig.
- Reinigen Sie das Fahrgestell und den Einkaufskorb regelmäßig mit einem feuchten Tuch. Benutzen Sie keine aggressiven Reinigungsmittel.
- Benutzen Sie bei Regenwetter zum Schutz Ihres Sportwagens immer das Regenverdeck.
- Trocken Sie den Sportwagen nach Gebrauch bei Regenwetter mit einem weichem, absorbierendem Tuch ab.
- Entfernen Sie die abnehmbaren Räder eSin Mal im Monat. Reinigen Sie anschließend die Achsen und schmieren Sie die Achsen mit einem trockenen Teflonspray. Verwenden Sie niemals Vaseline, Schmierfett oder Silikonschmiermittel.

## Garantie und Kontakt

### Garantie

Unsere 24-Monats-Garantie zeigt, wie groß unser Vertrauen in die hohe Qualität unserer Design-, Technik-, Produktions- und Produktleistung ist. Wir garantieren, dass dieses Produkt gemäß den aktuellen europäischen Sicherheitsanforderungen und Qualitätsstandards hergestellt wurde, die auf dieses Produkt Anwendung finden und dass dieses Produkt zum Zeitpunkt des Kaufes frei von Material- und Verarbeitungsmängeln ist.

Unsere 24-Monats-Garantie erstreckt sich auf Material- und Verarbeitungsmängel bei Verwendung unter normalen Bedingungen und gemäß unserem Benutzerhandbuch. Zur Anforderung von Reparaturen oder Ersatzteilen im Rahmen der Garantie aufgrund von Material- und Verarbeitungsmängeln ist der Nachweis zu erbringen, dass der Kauf innerhalb von 24 Monate vor dieser Service-Anforderung erfolgt ist.

Unsere 24-Monats-Garantie erstreckt sich nicht auf Schäden aufgrund von normalem Verschleiß, Unfällen, missbräuchlicher Verwendung, Fahrlässigkeit oder der Nichtbefolgung des Benutzerhandbuches. Beispiele für normalen Verschleiß sind die Abnutzung von Rädern und Gewebe durch regelmäßige Nutzung und die natürliche Farb- und Materialabschwächung über einen längeren Zeitraum und eine längere Nutzungsdauer.

Was im Falle von Mängeln zu tun ist:

Falls Probleme oder Mängel auftreten, sollten Sie sich für schnellen Service am besten an Ihren Quinny Händler wenden. Unsere 24-Monats-Garantie wird dort anerkannt (1). Dazu ist ein Nachweis zu erbringen, dass der Kauf innerhalb von 24 Monaten vor der Service-Anforderung erfolgt ist. Am einfachsten ist es, Ihre Service-Anforderung vorab vom Quinny Kundenservice genehmigen zu lassen. Wir übernehmen grundsätzlich die Kosten für Versand und Rücksendung im Zusammenhang mit Service-Anforderungen im Rahmen der Garantie. Schäden, die von der Garantie ausgeschlossen sind, können gegen eine angemessene Gebühr behoben werden.

Diese Garantie entspricht der Europäischen Richtlinie 99/44/EG vom 25. Mai 1999.

(1) Produkte, bei denen die Etiketten oder Identifikationsnummern entfernt oder geändert wurden, gelten als nicht zugelassen. Für diese Produkte wird keine Garantie gewährt, da die Echtheit dieser Produkte nicht feststellbar ist.

## Veiligheid en Onderhoud

### **BELANGRIJK BEWAAR DE GEBRUIKSAANWIJZING ALS REFERENTIE VOOR EEN LATER GEBRUIK.**

#### **WAARSCHUWING**

- Het kan gevaarlijk zijn je kind zonder toezicht achter te laten.
- Controleer vóór gebruik of alle vergrendelmechanismen goed zijn vastgemaakt.
- Om blessures te vermijden moet je er voor zorgen dat je kind niet in de buurt is wanneer je de kinderwagen in- of uitvouwt.
- Laat je kind niet met dit product spelen.
- Gebruik steeds het verstelsysteem. Aan elke zijde zijn ter hoogte van de veiligheidsriem bevestigingsringen voorzien voor een extra harnas.
- Controleer of de bevestigingsmiddelen voor de kinderwagenbak, de zitting of het autostoeltje correct geplaatst zijn vóór je de kinderwagen gebruikt.
- Dit product is niet geschikt om hard te lopen, skaten of andere sporten mee te beoefenen.
- Niet geschikt om lange perioden in te slapen; je kind loopt kans op een letsel.
- Alles wat aan het duwstang, de rugleuning of zijkanten bevestigd wordt, heeft invloed op de stabiliteit van de kinderwagen.
- Om het risico van verstikking te vermijden, plastic zakken en verpakkingen buiten het bereik van

baby's en jonge kinderen houden.

- Gebruik de regenhoes niet bij zonnig weer, omdat het te warm kan worden. Niet gebruiken zonder de kap. Alleen te gebruiken onder toezicht van een volwassene.
- Controleer steeds of de rem volledig ingedrukt is voor je de kinderwagen los laat.
- Laat je kind nooit uit zichzelf in of uit de kinderwagen kruipen.
- De banden kunnen op sommige ondergronden (vooral gladde vloeren zoals parket, kunststoflaminaat, linoleum enz.) zwarte sporen achterlaten.

#### **VEILIGHEID**

Onze producten zijn met zorg vervaardigd en getest voor de veiligheid en het comfort van uw kind. Voldoet aan de veiligheidsvereisten – In een goedgekeurd laboratorium getest volgens het decreet nr. 91-1292 – December 1991 – EN1888:2012.

1. Deze kinderwagen is vervaardigd voor kinderen vanaf 6 maanden en tot 15 kg.
2. Vervoer nooit meer dan één kind tegelijkertijd in je kinderwagen.
3. Til de kinderwagen nooit op wanneer je kind er nog in zit.
4. Wanneer de fabrikant van je kinderwagen het gebruik in combinatie met een kinderwagenbak of autostoeltje aanbeveelt, dan bedraagt het maximale gewicht bij gebruik van de combinatie het gewicht dat staat aangegeven op het bijkomende product.
5. Wanneer de fabrikant van je kinderwagen het gebruik in combinatie met een kinderwagenbak of een autostoeltje aanbeveelt, dan moet je deze altijd in je richting plaatsen.
6. Neem nooit de trap of de roltrap als je kind in de kinderwagen zit.
7. Gebruik steeds de positie die het meest achteruit leunt voor pasgeboren baby's.
8. De kinderwagen dient altijd op de rem te staan wanneer je het kind in of uit de kinderwagen plaatst. Gebruik altijd de rem, ook al sta je slechts even stil.

9. Gebruik uitsluitend accessoires die door de fabrikant worden verkocht en goedgekeurd. Het gebruik van andere accessoires kan gevaarlijk zijn.
10. Let bij kinderwagens voorzien van accessoires (naar gelang van de versie) op de maximale belasting die hieronder staat aangegeven: Bijv.: Maximale belasting voor de speeltafel 2 kg; Maximale belasting van het net 2 kg; Maximale belasting voor de zak 1 kg; Maximale belasting voor het mandje 2 kg. F6"

#### **REINIGING EN ONDERHOUD**

- Onderhoud en reinig je Quinny Buzz Xtra regelmatig.
- Reinig het onderstel en de boodschappenmand regelmatig met een vochtige doek. Gebruik geen agressieve reinigingsmiddelen.
- Gebruik bij regen altijd een regenhoes om de bekleding te beschermen.
- Droog de wandelwagen na gebruik in de regen af met een zachte absorberende doek.
- Verwijder de afneembare wielen één keer per maand, maak vervolgens de assen schoon en behandel ze met een droge teflonspray. Gebruik nooit vaseline, vet of siliconenhoudende smeermiddelen.

#### **AFVAL SCHEIDEN**

Met het oog op het milieu verzoeken wij je verpakkingsafval en afval aan het einde van de levensduur van de Quinny Buzz Xtra te scheiden.

## Garantie en Contact

### GARANTIE

Wij geven 24 maanden garantie. Dit geeft ons vertrouwen weer in de hoogwaardige kwaliteit van het ontwerp, de techniek, het product en de productprestaties. Wij garanderen dat dit product vervaardigd is overeenkomstig de actuele Europese veiligheidsvoorschriften en kwaliteitsnormen die op dit product van toepassing zijn, en dat dit product op het moment van aanschaf vrij is van materiaal- en constructiefouten.

De garantie van 24 maanden omvat gebreken met betrekking tot de gebruikte materialen en de constructie bij gebruik onder normale omstandigheden en overeenkomstig onze handleiding. Voor een reparatieverzoek of een verzoek om reserveonderdelen uit hoofde van deze garantie dient u een aankoopbewijs te overleggen dat binnen 24 maanden voorafgaand aan het serviceverzoek dient te zijn afgegeven.

De garantie van 24 maanden omvat geen schade als gevolg van normale slijtage, ongevallen, oneigenlijk gebruik of onachtzaamheid, of als gevolg van het niet in acht nemen van de handleiding. Normale slijtage omvat bijvoorbeeld slijtage aan wielen en weefsels door regelmatig gebruik alsmede natuurlijke vervaging van kleuren en achteruitgang van materiaal na verloop van tijd en

door gebruik.

Wat u kunt doen ingeval van gebreken: Mocht zich een probleem of gebrek voordoen, dan kunt u zich, indien u snel geholpen wilt worden, het beste richten tot uw leverancier of wederverkoper van Quinny. Onze garantie van 24 maanden wordt door hen erkend(1). U dient een aankoopbewijs te overleggen dat binnen 24 maanden voorafgaand aan het verzoek dient te zijn afgegeven. Het is het eenvoudigst wanneer u uw serviceverzoek vooraf laat goedkeuren door de klantenservice van Quinny. In beginsel komen de kosten voor verzending en retournering in verband met het serviceverzoek uit hoofde van de garantie voor onze rekening. Schade die niet door onze garantie wordt gedekt, kan tegen een redelijke vergoeding worden afgewikkeld.

Deze garantie voldoet aan Europese Richtlijn 99/44/EG van 25 mei 1999.

(1) Producten die gekocht zijn van wederverkopers of leveranciers die het etiket of het identificatienummer hebben gewijzigd of verwijderd, worden als niet-toegelaten producten beschouwd. Op de desbetreffende producten is geen garantie van toepassing, aangezien de echtheid van die producten niet kan worden vastgesteld.

## Seguridad y Mantenimiento

### IMPORTANTE CONSERVAR PARA FUTURAS CONSULTAS.

#### ATENCIÓN

- No dejar nunca un bebé sin la vigilancia de un adulto.
- Asegurarse de que todos los dispositivos de cierre están engranados antes del uso.
- Para evitar lesiones procure que el bebé no esté cerca al plegar y desplegar el coche.
- No deje que el niño juegue con el producto.
- Utilice siempre el sistema de retención. A la altura del cinturón abdominal hay, a ambos lados, anillos para fijar el arnés adicional.
- Compruebe que los dispositivos de acoplamiento al chasis del coche, el asiento o al asiento de coche estén bien acoplados antes de usarlos.
- Este producto no es apto para correr, patinar ni para ninguna otra actividad deportiva.
- No apto para largos periodos de sueño, ya que el bebé podría sufrir daños.
- Cualquier carga atada al manillar, el respaldo o los laterales perjudicará la estabilidad del coche o carrito.
- Para evitar riesgos de asfixia, mantenga las bolsas de plástico de la caja fuera del alcance de los bebés y los niños.
- Uso del impermeable: no lo utilice con tiempo soleado como protección contra el exceso de

calor. No utilice el impermeable sin la capota. Se utilizará siempre bajo la vigilancia de un adulto.

- Antes de soltar el coche, compruebe que el freno esté bien echado.
- No permita que el niño salga y entre del coche solo.
- Es posible que las ruedas del Quinny Buzz dejen huellas negras sobre determinadas superficies (principalmente en superficies lisas tales como parquet, suelos laminados, el linóleo, etc.).

## SEGURIDAD

Nuestros productos han sido diseñados y testados debidamente, pensando en la seguridad y el confort de su hijo. Están conformes con las normas de seguridad y han sido testados en laboratorios autorizados, en virtud del decreto n° 91-1292 de diciembre de 1991 - EN1888:2012.

1. Este vehículo es para niños desde 6 meses y hasta peso máximo. 15 kg.
2. No transporte nunca a la vez más de 1 niño en el cochecito.
3. Nunca levante el cochecito cuando el niño se encuentra en su interior.
4. Si el fabricante del cochecito recomienda utilizarlo en combinación con un capazo o asiento de coche, el peso máximo de la combinación será el indicado en el producto adicional.
5. Si el fabricante del cochecito recomienda utilizarlo en combinación con un capazo o asiento de coche, colóquelos siempre frente a usted.
6. No utilice nunca escaleras o escaleras mecánicas con el niño en el cochecito.
7. Con recién nacidos utilice siempre la posición más reclinada.
8. Utilice siempre el freno cuando el cochecito esté detenido, aunque solo vaya a pararse un instante. También debe accionar el freno siempre que siente o levante al bebé.

9. Utilice únicamente accesorios vendidos o aprobados por el fabricante. El uso de otros accesorios puede resultar peligroso.
10. Para los coches equipados con accesorios (dependiendo de la versión), procure respetar las cargas máximas indicadas a continuación:  
Ej; carga máxima admitida para la tabla: 2 kg.  
Carga máxima admitida para la red: 2 kg. Carga máxima admitida para el bolsillo: 1 kg. Carga máxima admitida para la cesta: 2 kg."

## LIMPIEZA Y MANTENIMIENTO

- Mantén y limpia con frecuencia el Quinny Buzz Xtra.
- Limpia regularmente el chasis y la cestilla con un trapo húmedo. Nunca utilices detergentes agresivos.
- Cuando llueve, utiliza siempre una burbuja impermeable para proteger la vestidura.
- Seca el cochecito de paseo después de usarlo en la lluvia con un trapo suave y absorbente.
- Quita las ruedas extraíbles una vez al mes, limpia los ejes y engrásalos con un spray seco para teflón. Nunca utilices vaselina, grasa o lubricantes de silicona.

## SEPARACIÓN DE RESIDUOS

Con el fin de proteger el medio ambiente, te rogamos que deposites cualquier residuo de tu Quinny Buzz Xtra en el contenedor correspondiente.

## Garantía y Contacto

### GARANTÍA

Nuestra garantía de 24 meses refleja nuestra confianza en la extraordinaria calidad de nuestro diseño, ingeniería, producción y en el rendimiento del producto. Garantizamos que este producto ha sido fabricado de acuerdo con las normas de seguridad y calidad europeas en vigor y que le son aplicables, y que este producto está libre de defectos en el momento de la compra.

Nuestra garantía de 24 meses cubre cualquier defecto de fabricación en cuanto a materiales y mano de obra cuando se utiliza en condiciones normales y de acuerdo con el manual de usuario. Para solicitar reparaciones o piezas de repuesto en garantía por defectos de fabricación deberá presentar el comprobante de la compra (original o fotocopia) realizada en los 24 meses anteriores a la solicitud del servicio.

Nuestra garantía de 24 meses no cubre los daños causados por el uso y desgaste normales, accidentes, uso abusivo, negligencia o como consecuencia de no cumplir las instrucciones del manual de usuario. Pueden ser ejemplos de uso y desgaste normales el desgaste de las ruedas y el tejido por el uso habitual y la descomposición natural de los colores y los materiales con el tiempo y el uso prolongado.

¿Qué hacer en caso de defectos?

Si surgen problemas o defectos, su mejor opción para obtener un servicio rápido es visitar al distribuidor o la tienda de Quinny. Ellos aceptan nuestra garantía de 24 meses(1). Tiene que presentar el comprobante de la compra realizada en los 24 meses anteriores a la solicitud del servicio. Lo más sencillo es que consiga usted la preaprobación de la solicitud de servicio por el Servicio de Quinny. En principio, pagamos los gastos de envío y devolución relacionados con las solicitudes de servicio en garantía. Los daños no cubiertos por nuestra garantía se pueden atender a una tarifa razonable.

Esta garantía se ajusta a la Directiva Europea 99/44/CE de 25 de mayo de 1999 transpuesta para el estado Español en la Ley 23/2003, de 10 de julio, de Garantías en la Venta de Bienes de Consumo.

(1) Los productos adquiridos en tiendas o distribuidores que eliminen o cambien las etiquetas o números de identificación, se considerarán no autorizados. No se aplicará garantía alguna a estos productos ya que la autenticidad de los mismos no puede comprobarse.

## Sicurezza e manutenzione

### IMPORTANTE CONSERVARE PER CONSULTAZIONE FUTURA.

#### AVVERTENZA

- Non lasciare mai il bambino senza sorveglianza.
- Prima dell'uso assicurarsi che tutti i dispositivi di bloccaggio siano innestati.
- Per evitare rischi di ferite, tenere lontano il bambino durante l'apertura e la chiusura del prodotto.
- Non lasciare che il bambino giochi con il prodotto.
- Utilizzare sempre il sistema di ritenuta. Anelli per il fissaggio di un sistema di ritenuta aggiuntivo sono posizionati su entrambi i lati all'altezza della cintura.
- Verificare che i dispositivi di fissaggio della navicella, del seggiolino o del seggiolino auto siano correttamente bloccati prima dell'utilizzo.
- Questo prodotto non è adatto all'utilizzo durante la corsa o le passeggiate con roller e per ogni altra attività sportiva.
- Non è adatto per lunghi periodi di sonno, il vostro bambino rischierebbe di essere in pericolo.
- Ogni carico attaccato al maniglione, allo schienale o sui lati influisce sulla stabilità della carrozzina/del passeggino.
- Per evitare rischi di soffocamento, conservate i sacchi in plastica degli imballaggi fuori dalla portata di neonati e bambini.

- Utilizzo del parapiooggia: Non utilizzare al sole, a causa di un eccessivo calore. Non utilizzare il parapiooggia senza capottina. Utilizzare sotto la sorveglianza di un adulto.
- Verificare sempre che il freno sia azionato prima di lasciare il passeggino.
- Non lasciare mai che il bambino salga e scenda da solo dal passeggino.
- I pneumatici delle ruote possono lasciare tracce nere su alcune superfici (soprattutto quelle lisce quali parquet, pavimenti laminati o linoleum).

#### SICUREZZA

I nostri prodotti sono stati ideati e collaudati con cura per la sicurezza e il confort del vostro bambino. Conforme alle esigenze di sicurezza - Testato in laboratori autorizzati secondo il decreto n. 91-1292 - dicembre 1991 - EN1888:2012.

1. Questo veicolo è destinato a bambini da 6 mesi e fino a 15 kg.
2. Non trasportate mai più di 1 bambino alla volta nel vostro passeggino.
3. Non sollevate mai il passeggino con il bambino al suo interno.
4. Nel caso in cui il produttore del vostro passeggino ne raccomandi l'uso in combinazione con una navicella o un seggiolino auto, il peso massimo di utilizzo dell'insieme è quello indicato sul prodotto addizionale.
5. Se il produttore del vostro passeggino ne raccomanda l'uso in combinazione con una navicella o un seggiolino auto, posizionateli sempre rivolti verso di voi.
6. Non utilizzate mai scale o scale mobili con il vostro bambino nel passeggino.
7. Utilizzate sempre la posizione di inclinazione massima per i neonati.
8. Utilizzate sempre il freno quando il passeggino è fermo, anche se vi fermate solo un attimo! Il freno deve sempre essere azionato per installare o estrarre il bambino.
9. Usate esclusivamente gli accessori e i pezzi di

ricambio venduti e approvati dal produttore. L'utilizzo di altri accessori può risultare pericoloso. 10. Per i passeggini dotati di accessori (a seconda della versione), assicuratevi di rispettare i carichi massimi indicati di seguito: es: Carico massimo per la tavoletta 2 kg. Carico massimo per la rete 2 kg. Carico massimo per la tasca 1 kg. Carico massimo per il cesto 2 kg."

#### Pulizia e manutenzione

- Eseguire frequentemente le operazioni di pulizia e manutenzione del Quinny Buzz Xtra.
- Pulire regolarmente il telaio e il cestello con un panno umido. Non utilizzare detergenti aggressivi.
- In caso di pioggia, usare sempre il parapiooggia per proteggere il rivestimento.
- Dopo l'uso, in caso di pioggia, asciugare il passeggino con un panno morbido e assorbente.
- Rimuovere le ruote estraibili una volta al mese, pulire quindi gli assi e trattarli con uno spray secco al teflon. Non utilizzare mai vaselina, grassi o lubrificanti a base di silicone.

#### SMALTIMENTO

Avendo a cuore la tutela dell'ambiente vi preghiamo di smaltire in modo differenziato l'imballaggio e i rifiuti al termine della durata di vita del Quinny Buzz Xtra.

## Garanzia e contatti

### GARANZIA

La garanzia della durata di 24 mesi che applichiamo ai nostri prodotti riflette la fiducia che riponiamo nella qualità eccezionale del nostro design, della nostra progettazione e produzione, nonché delle prestazioni. Garantiamo che questo prodotto è stato fabbricato in conformità con gli attuali requisiti europei in materia di sicurezza e con gli standard di qualità applicabili a questo prodotto, e altresì che quest'ultimo è scevro da difetti legati alla manodopera o ai materiali impiegati al momento dell'acquisto.

La nostra garanzia della durata di 24 mesi copre eventuali difetti dei materiali e di fabbricazione se il prodotto viene utilizzato in condizioni regolari ed in conformità con il nostro manuale d'istruzioni. Per richiedere riparazioni o parti di ricambio in garanzia per i suddetti difetti, è necessario presentare la prova d'acquisto (che deve essere stato effettuato entro e non oltre i 24 mesi precedenti alla richiesta di assistenza).

La garanzia non copre invece danni causati da normale usura, incidenti, utilizzo non corretto, negligenza o altre conseguenze derivanti dal mancato rispetto del manuale d'istruzioni. Esempi di normale usura includono parti quali: ruote e tessuti usurati da un utilizzo regolare del prodotto, nonché il

naturale deterioramento dei colori e dei materiali in seguito a un uso prolungato nel tempo.

Cosa fare in caso di difetti:

Qualora si verificano problemi o difetti, rivolgersi al rivenditore dove si era effettuato l'acquisto o sceglierne uno dalla lista di rivenditori autorizzati presente sul sito internet, chiedendo di poter ricevere assistenza (per maggiori informazioni rivolgersi al Servizio Assistenza Consumatori di Quinny. Le spese di spedizione e reso legate alle richieste di assistenza in garanzia sono normalmente a nostro carico. I danni non coperti dalla garanzia possono tuttavia essere gestiti secondo prezzi da listino.

La presente garanzia è conforme alla Direttiva Europea 99/44/CE del 25 maggio 1999.

(1) I prodotti acquistati presso rivenditori che rimuovono o modificano le etichette o i numeri di identificazione sono considerati non autorizzati. Prodotti acquistati presso rivenditori non autorizzati sono considerati essi stessi non autorizzati. Nessuna garanzia si applica a questi prodotti, in quanto l'autenticità di questi prodotti non può essere accertata.

## Segurança e manutenção

### IMPORTANTE GUARDAR ESTE MANUAL PARA CONSULTA POSTERIOR.

#### AVISO

- Não deixar a criança sem vigilância.
- Assegure-se de que todos os dispositivos de segurança estão correctamente accionados antes de cada utilização.
- Para evitar lesões, certifique-se de que a criança está afastada ao abrir e fechar este produto.
- Não deixe que a criança brinque com este produto.
- Use sempre o sistema de retenção. Existem anéis para a fixação de um cinto adicional em cada um dos lados, junto do cinto de segurança.
- Verificar se os dispositivos de fixação da armação, da cadeira ou da cadeira-auto estão correctamente engatados antes de utilizar.
- Este produto não é adequado para correr ou andar de patins ou para qualquer outra actividade desportiva.
- Não é adequado para longos períodos de sono. A criança poderá sofrer lesões.
- Qualquer carga aplicada no punho, no encosto ou nas partes laterais afecta a estabilidade do carrinho de bebé.
- Para evitar riscos de asfixia, guardar os sacos plásticos da embalagem fora do alcance dos bebés e das crianças.

- Utilização de protecção para a chuva: Não utilizar se estiver sol, uma vez que pode causar calor excessivo. Não utilizar a protecção para chuva sem a cobertura. Utilizar sob a supervisão de um adulto.
- Verificar sempre se o travão está totalmente engatado antes de deixar o carrinho de bebé.
- Nunca deixe que a criança suba ou desça do carrinho sozinha.
- As rodas podem causar manchas escuras em alguns tipos de pisos (principalmente pisos lisos, como parquet, laminados de plástico, linóleo, etc.).

## SEGURANÇA

Os nossos produtos foram concebidos e testados com cuidado para assegurar a segurança e o conforto da sua criança. Em conformidade com os requisitos de segurança – Testado em laboratório certificado segundo o decreto n.º 91-1292 – Dezembro de 1991 – EN1888:2012..

1. Este carrinho destina-se a crianças desde os 6 meses de idade até aos peso máximo 15 kg.
2. Nunca transportar mais do que uma criança de cada vez, por lugar, no carrinho de passeio.
3. Não levantar o carrinho de passeio com a criança dentro do mesmo.
4. Se o fabricante do seu carrinho de passeio recomenda a utilização em combinação com uma alcofa ou cadeira-auto, então o peso máximo de utilização da combinação é o indicado no produto adicional.
5. Se o fabricante do seu carrinho de passeio recomenda a utilização em combinação com uma alcofa ou uma cadeira-auto, colocá-los sempre virados para si.
6. Não utilizar escadas ou escadas rolantes com a criança no carrinho de passeio.
7. Utilizar sempre a posição mais inclinada para os recém-nascidos.
8. Sempre que o carrinho de passeio estiver parado, utilizar o travão, mesmo que pare somente por um instante! O travão deve estar sempre accionado durante a colocação e a remoção da criança.

9. Utilizar somente acessórios ou peças sobresselentes vendidos e aprovados pelo fabricante. A utilização de outros acessórios pode ser perigoso.
10. Para os carrinhos de passeio equipados com acessórios (conforme a versão), respeitar as cargas máximas indicadas abaixo: Ex.: Carga máxima permitida para o tabuleiro 2 kg. Carga máxima permitida para o saco de rede 2 kg. Carga máxima permitida para o bolso 1 kg. Carga máxima permitida para o cesto 2 kg. "

## LIMPEZA E MANUTENÇÃO

- Efectue regularmente manutenção e limpeza do Quinny Buzz Xtra.
- Limpe regularmente o chassis e o cesto de compras com um pano húmido. Nunca utilize produtos de limpeza agressivos.
- Em caso de chuva, utilize sempre uma cobertura para chuva para proteger a forra.
- Depois de usar o carrinho de passeio com tempo de chuva, seque-o com um pano macio e absorvente.
- Uma vez por mês, retire as rodas, limpe os eixos e aplique um spray seco de teflon. Nunca utilize vaselina, graxa ou lubrificantes contendo silicone.

## SEPARAÇÃO DE LIXO

No sentido de respeitar o ambiente, recomendamos-lhe que separe o lixo (embalagem) do Quinny Buzz Xtra e o deposite nos locais para tal indicados

## Garantia e Contacto

### GARANTIA

A nossa garantia de 24 meses reflecte a nossa confiança na qualidade superior do nosso design, engenharia e produção, bem como no desempenho do produto. Garantimos que este produto foi fabricado de acordo com as normas de qualidade e os requisitos de segurança europeus actualmente em vigor, e que, à data da compra, o produto se encontra isento de defeitos de fabrico ou de materiais.

A nossa garantia de 24 meses abrange quaisquer defeitos de fabrico e de materiais, quando o produto é utilizado em condições normais e em conformidade com as indicações constantes do manual do utilizador. De modo a solicitar reparações ou peças sobresselentes ao abrigo da garantia a título de defeitos de material e de fabrico, deverá apresentar o comprovativo da aquisição efectuada durante os 24 meses que antecedem a requisição do serviço.

A nossa garantia de 24 meses não cobre os danos decorrentes do uso e desgaste normais, de acidentes, de utilização abusiva, de negligência, ou ainda do incumprimento das instruções que figuram no manual do utilizador. Exemplos de uso e desgaste normais são rodas e tecidos deteriorados em consequência de uma utilização regular e da

natural degradação dos materiais e das cores ao longo de períodos de uso prolongado.

Como proceder caso verifique a existência de defeitos:

Na eventualidade de surgirem quaisquer problemas ou defeitos, a melhor opção para obter um serviço rápido será dirigir-se ao ponto de venda Quinny que reconhecem a nossa Garantia de 24 meses (1). Deverá apresentar o comprovativo da aquisição efectuada no período de 24 meses que antecede a data de requisição do serviço. Será mais fácil se obtiver a pré-aprovação da sua requisição de serviço pelo Departamento de Manutenção Quinny. Por regra, custeamos as despesas de devolução e transporte relacionadas com requisições de serviços a realizar ao abrigo da garantia. Os danos que não são cobertos pela garantia poderão ser reparados mediante o pagamento de tarifas razoáveis.

A presente Garantia cumpre o disposto na Directiva Europeia 99/44/CE de 25 de Maio de 1999.

(1) Não são autorizados para esse efeito os produtos adquiridos que retirem ou alterem as etiquetas ou os números de identificação. Uma vez que não é possível averiguar a autenticidade destes produtos, não lhes será aplicável qualquer garantia.

## 안전 및 관리

중요 참고용으로 이 설명서를 보관하십시오.

### 경고

- 아이를 절대 혼자두지 마십시오.
- 사용 전에 모든 잠금 장치가 작동하는지 확인하십시오.
- 사고를 미연에 방지하기 위해 제품을 접거나 펼 때 아이가 옆에 오지 못하도록 하십시오.
- 아이가 이 제품을 갖고 장난치지 못하게 하십시오.
- 항상 안전벨트를 사용하십시오. 좌석 벨트 이외에도 양쪽에 추가 안전벨트가 달려있습니다.
- 사용 전에 유모차 차체 또는 좌석 또는 카시트 부착 장치가 제대로 작동하는지 확인하십시오.
- 이 제품은 조깅 또는 스케이트 또는 기타 다른 스포츠 활동에 적합하지 않습니다.
- 밤새 유모차에서 재우는 것은 적절하지 않으며 아이가 심각한 부상이나 상해를 입을 수 있습니다.
- 핸들, 등받이 또는 측면에 가해지는 모든 하중은 유모차의 안정성에 영향을 줍니다.
- 질식의 위험을 방지하기 위해 모든 비닐 백이나 덮개는 아기나 어린이의 손이 닿지 않는 곳에 보관하십시오.
- 레인 커버(우천시 덮개) 사용법: 햇볕이 내리쬐는 날씨는 과도한 열이 발생할 수 있으므로 사용하지 마십시오. 후드 없이 레인 커버를 사용하지 마십시오. 어른의

감독하에서만 사용하십시오.

- 유모차를 밀기 전에 브레이크가 제대로 작동하는지 항상 확인하십시오.
- 아이 혼자 유모차를 타거나 내리지 못하게 하십시오.
- 유모차의 타이어로 인해 지면에 자국이 남을 수 있습니다. (특히 합판 또는 마루바닥, 합성소재, 극장 관람석 및 리놀륨 소재의 바닥에도 자국이 남을 수 있습니다.)

### 안전 지침

당사 제품은 아기의 안전과 편안함을 위해 테스트를 거쳤으며 신중하게 설계되었습니다. 안전 요건에 부합함 - 주문 번호 91-1292에 따라 인가 받은 실험실의 테스트를 거쳤습니다 - 1991년 12월 - EN1888:2012.

1. 이 유모차는 6세부터 최대 15kg까지의 어린이를 위해 설계되었습니다.
2. 절대로 유모차에 2명 이상의 아이를 동시에 태우지 마십시오.
3. 아이가 타고 있는 상태에서 절대로 유모차를 들어올리지 마십시오.
4. 유모차 제조사에서 휴대용 아기 침대나 카시트와 함께 사용하는 것을 권장할 경우, 같이 사용할 때의 최대 무게는 추가 제품에 표시되어 있습니다.
5. 유모차 제조사에서 휴대용 아기 침대나 카시트와 함께 사용하는 것을 권장할 경우, 사용하는 추가 제품을 본인과 마주보게 두십시오.
6. 유모차에 아기를 태운 상태에서 절대로 계단이나 에스컬레이터를 이용하지 마십시오.
7. 신생아를 태울 경우, 항상 시트를 최대한 눕혀서 사용하십시오.
8. 아이를 태우거나 꺼낼 때에는 항상 반드시 브레이크를 걸어 두어야 합니다. 유모차를 아주 잠깐 세워놓을 때도 항상 주차 브레이크를 사용하십시오!
9. 제조사에서 판매하거나 허가한 예비 부품이나 액세서리만을 사용해야 합니다. 다른

액세서리를 사용할 경우 위험할 수 있습니다.

10. 유모차를 액세서리와 함께 사용하는 경우(버전에 따라 다름) 아래 표시된 최대 하중을 고려하십시오. 예: 플레이 트레이 최대 허용 무게 2kg. 그물 백 최대 허용 무게 2kg. 보관용 포켓 최대 허용 무게 1kg. 바구니 최대 허용 무게 2kg.

### 청소 및 유지관리

- 유모차를 자주 유지 관리하고 청소하십시오.
- 젖은 천으로 프레임과 장바구니를 정기적으로 청소하십시오. 연마제가 포함된 세정제는 사용하지 마십시오.
- 비가 올 경우 항상 레인커버를 덮어 패브릭 커버를 보호하십시오.
- 비가 올 때 사용한 후에는 부드럽고 흡수성 있는 천으로 유모차를 닦으십시오.
- 차축을 청소하기 위해 한 달에 한 번 탈착식 바퀴를 빼서 테프론 윤활제를 분무해 주십시오. 청소할 때 바셀린, 그리스, 실리콘 윤활제를 사용하지 마십시오. 바셀린, 그리스, 실리콘 윤활제를 사용하지 마십시오.

### 폐기물 분리 수거

환경을 보호하기 위해 유모차 포장 폐기물을 분리 수거하실 것을 요청 드립니다. 유모차 수명이 다한 후에는 구성품을 분리하여 적절한 방법으로 폐기해 주십시오.



## 보증 및 연락처

### 보증

본 24개월 보증은 당사의 설계, 엔지니어링, 생산 및 제품 성능의 우수한 품질에 대한 당사의 자부심을 반영합니다. 당사는 본 제품이 적용 가능한 현행 유럽 안전 요건 및 품질 표준에 따라 제조되었으며, 구입 시점에 재료 및 제조 기술상의 결함이 없음을 보증합니다.

본 24개월 보증은 사용 설명서에 따라 정상 조건에서 사용했을 때 발생한 재료 및 제조 기술상의 모든 제조 결함에 적용됩니다. 재료 및 제조 기술상의 결함에 대한 보증에 따라 수리나 예비 부품을 요청하려면, 서비스 요청 전 24개월 이내에 작성된 구매 증빙서를 제시해야 합니다.

본 24개월 보증은 정상적인 마모 및 파열, 사고, 오남용, 부주의 또는 사용 설명서를 준수하지 않음으로 인해 발생한 결과로 야기된 손상에는 적용되지 않습니다. 정상적인 마모 및 파열의 예로는 정상적인 사용에 의해 마모된 휠 및 직물, 오랜 사용 기간에 따른 자연적인 변색 및 재료의 변형 등이 있습니다.

결함 발생 시 취해야 할 조치:

문제 또는 결함이 발생할 경우, 빠른 서비스를 받기 위한 가장 좋은 조치는 해당 Quinny 대리점이나 매장을 방문하는 것입니다. 본 24개월 보증은 대리점이나 매장에 의해 승인됩니다 (1). 서비스 요청 전 24개월 이내에 작성된 구매

증빙서를 제시해야 합니다. 이는 Quinny Service 에서 서비스 요청을 사전 승인 받는 경우 가장 쉽습니다. 원칙적으로, 당사는 본 보증에 따른 서비스 요청과 관련된 반송 운임 및 선적 운임을 지불합니다. 당사의 보증 범위를 벗어나는 손상은 적정 수수료 지불 시 처리될 수 있습니다.

본 보증은 1999년 5월 25일 현재 European Directive 99/44/EG를 준수합니다.

(1) 매장 또는 대리점에서 구입한 제품에서 라벨이나 식별 번호가 제거 또는 변경된 경우 해당 제품은 승인되지 않은 것으로 간주됩니다. 이러한 제품의 경우 진품 여부를 확인할 수 없으므로 보증이 적용되지 않습니다.

## Bezpieczeństwo i konserwacja

### WAŻNE ZACHOWAJ INSTRUKCJĘ.

### OSTRZEŻENIE

- Nigdy nie zostawiać dziecka bez nadzoru.
- Przed użyciem należy upewnić się, czy urządzenia blokujące zostały uruchomione.
- Aby uniknąć obrażeń, dziecko musi znajdować się z daleka podczas rozkładania i składania tego produktu.
- Dziecko nie może bawić się tym produktem.
- Zawsze używać szelek. Kółka do zaczepiania dodatkowych szelek znajdują się po każdej stronie obok pasa.
- Przed użyciem sprawdzać, czy urządzenia mocujące wózek lub siedzisko bądź fotelik samochodowy są prawidłowo zamocowane.
- Ten produkt nie nadaje się do biegania ani jazdy na łyżwach bądź do uprawiania innych sportów.
- Nie jest odpowiedni do spania w nocy, ponieważ dziecko może odnieść poważny uraz lub obrażenia.
- Każdy ciężar przymocowany do uchwytu, oparcia lub z boków ma wpływ na stabilność wózka/ spacerówki.
- Aby uniknąć ryzyka uduszenia, należy trzymać wszystkie torby i opakowania poza zasięgiem niemowląt i małych dzieci.
- Zastosowania osłony przeciwdeszczowej. Nie używać podczas słonecznej pogody ze względu

na możliwość przegrzania. Nie używać osłony przeciwdeszczowej bez daszka. Stosować wyłącznie pod nadzorem osób dorosłych.

- Przed odejściem od spacerówki zawsze sprawdzać, czy hamulec jest całkowicie zaciągnięty.
- Nigdy nie wolno pozwalać dziecku samemu wchodzić do spacerówki lub z niej wychodzić.
- Opony mogą pozostawiać czarne ślady na niektórych rodzajach podłoża tak samo jak podeszwy butów (przede wszystkim na śliskich powierzchniach takich jak parkiet, laminat, linoleum itp.).

### INSTRUKCJE DOTYCZĄCE BEZPIECZEŃSTWA

Nasze produkty zostały starannie zaprojektowane i sprawdzone, aby zapewnić dziecku bezpieczeństwo i wygodę. Zgodny z wymogami bezpieczeństwa – Sprawdzony w zatwierdzonym laboratorium z postanowieniem nr 91-1292 - grudzień 1991 - EN1888:2012.

1. Produkt przeznaczony dla dzieci w wieku powyżej 6 miesięcy i lżejszych niż 15 kg.
2. Nie należy przewozić w wózku więcej niż jednego dziecka.
3. Nie wolno podnosić spacerówki z dzieckiem.
4. W przypadku gdy producent spacerówki zaleca użycie jej z gondolą lub fotelikiem samochodowym, waga dopuszczalna jest oznaczona na danym produkcie.

5. W przypadku gdy producent spacerówki zaleca użycie jej z gondolą lub fotelikiem samochodowym, należy zawsze ustawiać je przodem do prowadzącego.
6. Kiedy dziecko znajduje się spacerówce, nie należy korzystać ze schodów lub schodów ruchomych.
7. W przypadku wożenia noworodków należy zawsze jak najniżej opuszczać zagłówek.
8. Podczas wkładania i wyjmowania dziecka należy zawsze zaciągnąć hamulec. Należy zawsze używać hamulca
9. Używać wyłącznie akcesoriów sprzedawanych lub zatwierdzonych przez producenta. Użycie innych akcesoriów może być niebezpieczne.
10. Dla wózków z akcesoriami (w zależności od wersji) należy stosować się do ograniczeń maksymalnej ładowności oznaczonej poniżej: Np.: Maksymalna dopuszczalna ładowność przystawki na zabawki 2 kg. Maksymalna dopuszczalna ładowność siatki 2 kg. Maksymalna dopuszczalna ładowność kieszeni 1 kg. Maksymalna dopuszczalna ładowność koszyka 2 kg."

#### CZYSZCZENIE I KONSERWACJA

- Należy regularnie czyścić i konserwować Quinny Buzz Xtra.
- Regularnie czyść ramę i kosz na zakupy za pomocą wilgotnej ściereczki. Nie stosować ściernych środków czyszczących.

- Kiedy pada, rozkładać osłonę przeciwdeszczową, aby chronić tapicerkę.
- Po jeździe w deszczu wytrzeć wózek miękką, pochłaniającą wilgoć ściereczką.
- Raz na miesiąc wyjąć koła, wyczyścić osie i posmarować je suchym smarem teflonowym w sprayu. Nigdy nie używać wazeliny, smaru ani środków smarujących na bazie silikonu.

#### SEGREGACJA ODPADÓW

Aby pomóc chronić środowisko, prosimy o oddzielenie odpadów z opakowania od Quinny Buzz Xtra, a pod koniec okresu eksploatacji oddzielenie elementów i ich odpowiednią utylizację.

### Gwarancja i kontakt

#### GWARANCJA

Udzielamy ogólnoświatowej 24-miesięcznej gwarancji, odzwierciedlającej zaufanie, które mamy do jakości naszych projektów, procesu technologicznego, produkcji oraz wykonania produktów. Gwarantujemy, że ten produkt został wyprodukowany zgodnie z aktualnymi wymogami europejskich norm bezpieczeństwa i jakości, które mają do niego zastosowanie, a także że w chwili zakupu produkt jest wolny od wad wykonania i materiałowych.

Nasza 24-miesięczna gwarancja obejmuje wszelkie wady produkcyjne w zakresie materiałów

i robocizny, pod warunkiem, że produkt jest użytkowany w normalnych warunkach i zgodnie z naszą instrukcją obsługi. Przejmujemy odpowiedzialność za naprawę lub wymianę produktu dotkniętego wadą objętą gwarancją, z tym zastrzeżeniem, że o wyborze sposobu usunięcia wady i rozpatrzenia zgłoszenia decyduje gwarant.

W przypadku wystąpienia z żądaniem usunięcia wady objętej gwarancją, konieczne jest przedstawienie dowodu zakupu, którego dokonano w ciągu 24 miesięcy poprzedzających zgłoszenie serwisowe.

Nasza 24-miesięczna gwarancja nie obejmuje uszkodzeń spowodowanych poprzez normalne zużycie, wypadki, niewłaściwe używanie, zaniedbanie lub niestosowanie się do instrukcji obsługi. Przykłady normalnego zużycia to m.in. zużycie kół i tkaniny spowodowane regularnym użytkowaniem, a także naturalna utrata kolorów oraz pogorszenie jakości materiałów spowodowane dłuższym czasem użytkowania.

Co zrobić w przypadku wykrycia wad:  
W razie pojawienia się problemów lub wad zalecamy kontakt z najbliższym punktem serwisowym marki Quinny ( adresy na okładce książeczki zawierającej instrukcję lub stronie internetowej) który jest zobowiązany do przestrzegania naszej 24-miesięcznej gwarancji(1).

Należy przedstawić dowód zakupu, którego dokonano w ciągu 24 miesięcy poprzedzających zgłoszenie serwisowe. Najlepiej jeżeli żądanie naprawy zostanie wstępnie zatwierdzone przez Dział serwisowy firmy Quinny. W przypadku gdy zaistnieje konieczność wysłania produktu do punktu serwisowego proszę uzgodnić sposób wysyłki i jego koszty z punktem serwisowym, ponieważ w przypadku braku takiego uzgodnienia gwarant może odmówić pokrycia kosztów przesyłki.. Uszkodzenia, których nasza gwarancja nie obejmuje mogą zostać naprawione za uzgodnionym wynagrodzeniem.

Niniejsza gwarancja jest zgodna z dyrektywą europejską 99/44/WE z dnia 25 maja 1999 roku. Niniejsza gwarancja nie wyłącza, nie ogranicza ani nie zawiesza uprawnień kupującego wynikających z niezgodności towaru z umową, przewidzianych w ustawie z dn. 27.07.2002 o szczególnych warunkach sprzedaży konsumenckiej oraz o zmianie Kodeksu cywilnego (Dz. Ust. 2002 nr 141 poz. 1176 z póź. zmianami).  
(1) Produkty zakupione od sprzedawców detalicznych lub dealerów z usuniętymi albo zmienionymi etykietami lub numerami identyfikacyjnymi uważane są za nieautoryzowane. W związku z tym, że autentyczność takich produktów nie może być ustalona, gwarancja ich nie obejmuje.

## Ασφάλεια και συντήρηση

### ΣΗΜΑΝΤΙΚΟ ΦΥΛΑΞΤΕ ΤΙΣ ΟΔΗΓΙΕΣ ΑΥΤΕΣ ΓΙΑ ΜΕΛΛΟΝΤΙΚΗ ΑΝΑΦΟΡΑ.

#### ΠΡΟΕΙΔΟΠΟΙΗΣΗ

- Μην αφήνετε ποτέ το παιδί σας χωρίς επιτήρηση.
- Βεβαιωθείτε ότι έχουν ενεργοποιηθεί όλες οι διατάξεις ασφάλισης πριν από τη χρήση.
- Για την αποφυγή τραυματισμών, απομακρύνετε το παιδί σας κατά το δίπλωμα και το ξεδίπλωμα του προϊόντος αυτού.
- Μην αφήνετε το παιδί σας να παίζει με το προϊόν αυτό.
- Χρησιμοποιείτε πάντα το σύστημα πρόσδεσης. Σε κάθε πλευρά υπάρχουν κρίκοι για τη σύνδεση πρόσθετων ζωνών, εκτός από τη ζώνη ασφαλείας του αυτοκινήτου.
- Βεβαιωθείτε ότι οι διατάξεις σύνδεσης του καροτσιού ή του καθίσματος ή του καθίσματος αυτοκινήτου έχουν τοποθετηθεί σωστά πριν από τη χρήση.
- Μη χρησιμοποιείτε το προϊόν αυτό όταν κάνετε τζόκινγκ ή όταν φοράτε πατίνια ή κατά τη διάρκεια άλλων αθλητικών δραστηριοτήτων.
- Το προϊόν δεν είναι κατάλληλο για ύπνο κατά τη διάρκεια της νύχτας. Υπάρχει κίνδυνος σοβαρού τραυματισμού.
- Η τοποθέτηση φορτίων στη λαβή, στην

- πλάτη του καθίσματος ή στα πλαϊνά τμήματα επηρεάζει τη σταθερότητα του καροτσιού.
- Για να αποφευχθεί ο κίνδυνος ασφυξίας, φυλάσσετε όλες τις πλαστικές σακούλες και τα υλικά συσκευασίας μακριά από βρέφη και μικρά παιδιά.
  - Χρήση αδιάβροχου: Μην το χρησιμοποιείτε όταν ο καιρός είναι ηλιόλουστος λόγω της υπερβολικής ζέστης. Μη χρησιμοποιείτε το αδιάβροχο χωρίς την κουκούλα. Χρησιμοποιείτε το μόνο υπό την επίβλεψη ενήλικα.
  - Ελέγχετε πάντα εάν το φρένο είναι πλήρως ενεργοποιημένο πριν αφήσετε το καρότσι.
  - Μην αφήνετε ποτέ το παιδί σας να ανέβει ή να κατέβει από το καρότσι μόνο του.
  - Τα λάστιχα ενδέχεται να αφήνουν μαύρα σημάδια σε ορισμένες επιφάνειες (ιδιαίτερα σε λεία δάπεδα, όπως παρκέ, laminate και linoleum).

#### ΟΔΗΓΙΕΣ ΑΣΦΑΛΕΙΑΣ

Τα προϊόντα μας έχουν σχεδιαστεί και ελεγχθεί προσεκτικά, ώστε να διασφαλίζεται η άνεση και η ασφάλεια του παιδιού σας. Το προϊόν συμμορφώνεται με τις απαιτήσεις ασφαλείας - Έχει ελεγχθεί σε εγκεκριμένο εργαστήριο σύμφωνα με την εντολή αρ. 91-1292 - Δεκέμβριος 1991 - EN1888:2012.

1. Το προϊόν αυτό προορίζεται για νεογέννητα βάρους έως 15 kg.
2. Μη μεταφέρετε ποτέ περισσότερα από 1 παιδιά

ανά θέση στο καρότσι κάθε φορά.

3. Μην ανασηκώνετε ποτέ το καρότσι όταν το παιδί βρίσκεται μέσα σε αυτό.
4. Εάν ο κατασκευαστής του καροτσιού συνιστά τη χρήση του σε συνδυασμό με καλάθι ή κάθισμα αυτοκινήτου, τότε το μέγιστο βάρος για το συνδυασμό είναι αυτό που αναγράφεται στο πρόσθετο προϊόν.
5. Εάν ο κατασκευαστής του καροτσιού συνιστά τη χρήση του σε συνδυασμό με καλάθι ή κάθισμα αυτοκινήτου, τα προϊόντα αυτά πρέπει να είναι πάντα στραμμένα προς το μέρος σας.
6. Μη χρησιμοποιείτε ποτέ κυλιόμενες ή κανονικές σκάλες με το παιδί μέσα στο καρότσι.
7. Χρησιμοποιείτε πάντα τη θέση μέγιστης ανάκλισης για νεογέννητα.
8. Το φρένο πρέπει να είναι πάντα ενεργοποιημένο όταν βάζετε ή βγάζετε το παιδί από το καρότσι. Χρησιμοποιείτε πάντα το φρένο ακινητοποίησης, ακόμη και όταν το καρότσι δεν κινείται για μερικά λεπτά!
9. Χρησιμοποιείτε μόνο αξεσουάρ ή ανταλλακτικά που πωλούνται ή έχουν εγκριθεί από τον κατασκευαστή. Η χρήση άλλων αξεσουάρ μπορεί να είναι επικίνδυνη.
10. Για καρότσια με αξεσουάρ (ανάλογα με την έκδοση), τηρείτε το μέγιστο βάρος που αναφέρεται παρακάτω: Παράδειγμα: Μέγιστο επιτρεπόμενο βάρος για το τραπεζάκι δραστηριοτήτων 2 kg. Μέγιστο

επιτρεπόμενο βάρος για τον δικτυωτό σάκο 2 kg. Μέγιστο επιτρεπόμενο βάρος για τη θήκη αποθήκευσης 1 kg. Μέγιστο επιτρεπόμενο βάρος για το καλάθι 2 kg.

#### ΚΑΘΑΡΙΣΜΟΣ ΚΑΙ ΣΥΝΤΗΡΗΣΗ

- Απαιτείται συχνή συντήρηση και καθαρισμός του Quinny Buzz.
- Καθαρίζετε τακτικά το σκελετό και το καλάθι για ψώνια χρησιμοποιώντας ένα υγρό πανί. Μη χρησιμοποιείτε λειαντικά καθαριστικά.
- Όταν βρέχει, χρησιμοποιείτε πάντα το αδιάβροχο, για να προστατεύσετε το υφασμάτινο κάλυμμα.
- Μετά τη χρήση σε βροχή, σκουπίζετε το καρότσι με ένα μαλακό, απορροφητικό πανί.
- Αφαιρείτε τις αποσπώμενες ρόδες μία φορά το μήνα, για να καθαρίσετε και να ψεκάσετε τους άξονες με ξηρό λιπαντικό Teflon. Μη χρησιμοποιείτε ποτέ βαζελίνη, γράσο ή λιπαντικά σιλικόνης. Βαζελίνη, γράσο ή λιπαντικά σιλικόνης για τον καθαρισμό.

#### ΔΙΑΧΩΡΙΣΜΟΣ ΑΠΟΡΡΙΜΜΑΤΩΝ

Για λόγους προστασίας του περιβάλλοντος, διαχωρίστε τα απορρίμματα της συσκευασίας και τα εξαρτήματα του Quinny Buzz στο τέλος της διάρκειας ζωής του και απορρίψτε τα κατάλληλα.

## Εγγύηση και στοιχεία επικοινωνίας

### ΕΓΓΥΗΣΗ

Η 24μηνιαία εγγύηση του προϊόντος μας συμβολίζει την εμπιστοσύνη μας στην απόλυτη ποιότητα του σχεδιασμού, της κατασκευής, της παραγωγής και της απόδοσης του προϊόντος μας. Εγγυούμαστε ότι αυτό το προϊόν κατασκευάστηκε σύμφωνα με τις τρέχουσες ευρωπαϊκές απαιτήσεις ασφαλείας και τα πρότυπα ποιότητας που ισχύουν για αυτό το προϊόν και ότι το προϊόν κατά την αγορά του δεν παρουσιάζει ελαττωματικά υλικά ή βλάβες στην κατασκευή.

Η 24μηνιαία εγγύηση καλύπτει όλες τις κατασκευαστικές βλάβες στα υλικά εφόσον το προϊόν χρησιμοποιείται υπό κανονικές συνθήκες και σύμφωνα με το εγχειρίδιο χρήσης. Σε περίπτωση που στο πλαίσιο της εγγύησης επιθυμείτε να ζητήσετε επισκευή ή ανταλλακτικά για τυχόν βλάβες στα υλικά και την κατασκευή, πρέπει να επιδείξετε την απόδειξη αγοράς η οποία πραγματοποιήθηκε στο διάστημα των τελευταίων 24 μηνών πριν από την αίτηση για τεχνική υποστήριξη.

Η 24μηνιαία εγγύησή μας δεν καλύπτει ζημιές που έχουν προκληθεί από φυσιολογική φθορά, ατυχήματα, κατάχρηση του προϊόντος, αμέλεια ή λόγω μη συμμόρφωσης με το εγχειρίδιο χρήσης. Παραδείγματα φυσιολογικής φθοράς περιλαμβάνουν τη φθορά των τροχών και του

υφάσματος λόγω συχνής χρήσης και τη φυσιολογική εξασθένηση των χρωμάτων καθώς και τη φθορά των υλικών μετά από παρατεταμένο διάστημα χρήσης.

Τι να κάνετε σε περίπτωση βλάβης:  
Σε περίπτωση προβλημάτων ή βλάβης, η καλύτερη επιλογή για γρήγορη τεχνική υποστήριξη είναι να επισκεφτείτε τον αντιπρόσωπο ή το κατάστημα λιανικής πώλησης της Quinny, οι οποίοι αναγνωρίζουν την 24μηνιαία εγγύησή μας(1). Πρέπει να επιδείξετε την απόδειξη αγοράς η οποία πραγματοποιήθηκε στο διάστημα των τελευταίων 24 μηνών πριν από την αίτηση για τεχνική υποστήριξη. Για τη διευκόλυνσή σας μπορείτε να ζητήσετε από το τμήμα τεχνικής υποστήριξης της Quinny να προεγκρίνει την αίτησή σας για τεχνική υποστήριξη. Κατά κανόνα, καλύπτουμε τα έξοδα αποστολής και επιστροφής για αιτήσεις τεχνικής υποστήριξης που περιλαμβάνονται στην εγγύηση. Όσες βλάβες δεν καλύπτονται από την εγγύησή μας μπορούν να επισκευαστούν σε λογικές τιμές.

Η παρούσα εγγύηση συνάδει με την ευρωπαϊκή Οδηγία 99/44/ΕΚ της 25ης Μαΐου 1999.

(1) Προϊόντα που αγοράστηκαν από καταστήματα λιανικής πώλησης ή από αντιπροσώπους που αφαιρούν ή αλλάζουν τις ετικέτες ή τους αριθμούς ταυτοποίησης δεν θεωρούνται εγκεκριμένα. Αυτά τα προϊόντα δεν καλύπτονται από εγγύηση, καθώς δεν είναι εφικτή η διαπίστωση της γνησιότητάς τους.

## Безопасность и уход

### ВАЖНО СОХРАНИТЬ ЭТО РУКОВОДСТВО ДЛЯ ПОСЛЕДУЮЩЕГО ИСПОЛЬЗОВАНИЯ.

### ВНИМАНИЕ

- Никогда не оставляйте ребенка без присмотра.
- Убедитесь в том, что все запирающие устройства входят в контакт зацепления перед использованием.
- Во избежание травм убедитесь в том, что Ваш ребенок находится в стороне во время складывания и раскладывания этого продукта.
- Не позволяйте Вашему ребенку играть с этим продуктом.
- Всегда используйте предохранительную систему закрепления. Кольца для крепления дополнительных жгутов (ремней) в каждой стороне и рядом с ремнем безопасности.
- Проверьте, чтобы устройства для крепления корпуса коляски или сиденья или сиденья автомобиля были корректно зацеплены перед использованием.
- Данный продукт не предназначен для бега или катания или для любых других спортивных мероприятий.
- Продукт не подходит для ночного сна, так как Ваш ребенок может быть подвержен риску серьезного вреда или травмы.

- Любой груз, прикрепленный к ручке, спинке или с боков коляски влияет на устойчивость коляски.
- Во избежание риска удушья хранить пластиковые пакеты и упаковку вне досягаемости младенцев и детей.
- Использование дождевика: Не использовать в солнечную погоду во избежание перегрева. Не использовать пластиковый непромокаемый чехол без тента. Использовать только под присмотром взрослых!
- Всегда проверяйте, чтобы тормоза были полностью зацеплены до ее отпускания.
- Никогда не позволяйте Вашему ребенку залезать и вылезать из коляски одному.
- Колеса могут оставлять черные следы на некоторых видах поверхности (в первую очередь в гладком полу, ламинате из искусственных материалов, линолеуме и т.д.)

### ТЕХНИКА БЕЗОПАСНОСТИ

Наша продукция тщательно разработана и протестирована, чтобы обеспечить безопасность и комфорт ребенка. Соответствует требованиям по безопасности. Протестировано в лаборатории с правом проверки и аттестации в соответствии с постановлением № 91-1292 - Декабрь 1991 - EN1888:2012.

1. Данное изделие предназначено для детей от рождения и весом до 15 кг.
2. Запрещается сажать в коляску более 1 ребенка на место одновременно.
3. Запрещается поднимать коляску с сидящим в ней ребенком.
4. Если производитель рекомендует использовать коляску вместе с переносной корзиной или автомобильным сиденьем, максимальный вес для таких комбинаций указывается в документации для дополнительного изделия.
5. Если производитель рекомендует использовать коляску вместе с переносной корзиной или автомобильным сиденьем, ребенок должен находиться в них лицом к вам.
6. Запрещается поднимать коляску по лестнице или на эскалаторе с сидящим в ней ребенком.
7. Всегда используйте наиболее откинутую позицию, когда используете для новорожденных младенцев.
8. Сажая ребенка в коляску и вытаскивая его оттуда, необходимо установить коляску на тормоз. Рекомендуется устанавливать коляску на тормоз, даже если остановка занимает всего несколько минут.
9. Использовать только аксессуары и запасные части, поставляемые или одобренные производителем. Использование других аксессуаров может быть опасным.
10. При использовании коляски с аксессуарами (в

зависимости от версии) необходимо учитывать максимальный вес, указанный далее. Например: максимально разрешенный вес для стола с игрушками – 2 кг. Максимально разрешенный вес для сетчатой сумки – 2 кг. Максимально разрешенный вес для кармашка – 1 кг. Максимально разрешенный вес для корзины – 2 кг.

#### ЧИСТКА И УХОД

- Часто чистите Quinny Buzz и подвергайте ее уходу.
- Регулярно чистите раму и корзину для покупок, используя влажную тряпку. Не используйте абразивные моющие средства.
- Когда идет дождь, всегда используйте дождевик, чтобы защищать текстильный чехол.
- После использования в дожде, высушите прогулочную коляску при помощи мягкой, абсорбирующей тряпки.
- Раз в месяц вынимайте съемные колеса, чистите оси и смазывайте их сухим тефлоновым аэрозолем. Никогда не используйте вазелина, смазки или силиконовых смазывающих веществ.

#### РАЗДЕЛЕНИЕ МУСОРА

Чтобы помочь защищать среду, настоятельно просим Вас разделять отходы из упаковки Quinny Buzz, а когда Вы закончите использовать продукт, чтобы Вы утилизировали его надлежащим способом.

## Гарантия и контакт

### ГАРАНТИЯ

Наша двухлетняя гарантия свидетельствует о нашей уверенности в качестве нашей конструкции, разработки, производственном процессе и эксплуатационных характеристиках продукта. Мы гарантируем, что этот продукт произведен в соответствии с действующими в ЕС требованиями по безопасности и стандартами качества, применимыми к данному продукту. Также мы гарантируем отсутствие дефектов материала и сборки на момент покупки.

Наша двухлетняя гарантия охватывает все дефекты материала и сборки при использовании в нормальных условиях и в соответствии с руководством пользователя. При запросе на ремонт или предоставление запасных частей по гарантии на дефекты материалов и сборки от Вас требуется предъявить документ, подтверждающий покупку не более чем за 24 месяца от даты запроса.

Наша двухлетняя гарантия не покрывает повреждения, причиненные вследствие естественного износа, инцидентов, некорректного и ненадлежащего использования, беспечного обращения или несоблюдения руководства пользователя. Примеры естественного износа: стирание колес и каркаса

вследствие регулярного использования, естественное обесцвечивание выход из строя материалов по истечении продолжительного периода использования.

Порядок действий в случае обнаружения дефекта. При обнаружении проблем или дефектов, наиболее рационально в плане оперативности обслуживания обратиться к своему дилеру или розничному поставщику продуктов Quinny. Наша двухлетняя Гарантия признается ими(1). От Вас требуется предъявить документ, подтверждающий покупку не более чем за 24 месяца. Рекомендуется подтвердить запрос на обслуживание в сервисной службе Quinny. Мы оплачиваем отгрузку и доставку, связанные с запросами на обслуживание по Гарантии. Повреждения, которые не охватываются нашей Гарантией, устраняются за разумную оплату.

Настоящая Гарантия соответствует Директиве ЕС 99/44/EG от 25 мая 1999 г.

(1) Продукты, приобретенные от розничных поставщиков или дилеров, которые меняют бирки и идентификационные номера, рассматриваются как исключаящиеся из Гарантии. Гарантия на такие продукты не распространяется, поскольку невозможно подтвердить их подлинность.

## Bezpečnost a údržba

### DŮLEŽITÉ UPOZORNĚNÍ USCHOVEJTE PRO DALŠÍ POUŽITÍ.

#### UPOZORNĚNÍ

- Nikdy nenechávejte dítě bez dozoru.
- Před použitím se ujistěte, že uzamykací zařízení jsou řádně zajištěna.
- Při rozepínání a zapínání se ujistěte, že dítě není v kočárku, abyste předešli případnému úrazu.
- Tento výrobek není hračka. Nenechte dítě si hrát s tímto výrobkem.
- Používejte vždy upevňovací systém. Kroužky pro upevnění dodatečných popruhů se nacházejí na obou stranách kočárku vedle sedadlového pásu.
- Před použitím zkontrolujte, zda jsou správně připevněna upevňovací zařízení kočárku, sedačky nebo autosedačky.
- Tento výrobek není vhodný k běhání, bruslení nebo k jakýmkoli jiným sportovním aktivitám.
- Nevhodné pro celonoční spánek, vašemu dítěti hrozí riziko vážného poranění nebo úrazu.
- Jakékoli zatížení umístěné na držadle, opěradle nebo okrajích ovlivňuje stabilitu kočárku.
- Udržujte plastové tašky a obaly mimo dosah kojenců a malých dětí. Zabráníte tak riziku udušení.
- Použití krytu proti dešti: Nepoužívejte na přímém slunci z důvodu nebezpečí přehřátí. Nepoužívejte kryt proti dešti

samostatně bez stříšky. Používat pouze pod dohledem dospělých.

- Před tím, než pustíte kočárek, vždy zkontrolujte, zda je brzda zcela stlačena.
- Nikdy dítě nenechávejte lézt dovnitř nebo ven z kočárku samotné.
- Pneumatiky mohou na některých typech povrchů (především na hladkých podlahách, jako jsou například parkety, umělohmotný laminát, linoleum atd.) zanechávat černé stopy.

#### BEZPEČNOSTNÍ POKYNY

Naše výrobky byly pečlivě vyvinuty a testovány tak, aby zajistily bezpečnost a pohodlí vašeho dítěte. Vyhovuje bezpečnostním požadavkům. Testováno v akreditované laboratoři v souladu s nařízením č. 91-1292 - prosinec, 1991 - EN1888:2012.

1. Tento výrobek je určen pro děti od 6 měsíců do dosažení váhy 15 kg
2. V kočárku nikdy nepřevážíte více než jedno dítě najednou.
3. Nikdy nezvedejte kočárek společně s dítětem.
4. Pokud výrobce kočárku doporučuje jeho použití v kombinaci s korbou nebo autosedačkou, celková maximální povolená váha je váha uvedená na korbě nebo autosedačce.
5. Pokud výrobce kočárku doporučuje jeho použití v kombinaci s korbou nebo autosedačkou, vždy je nasměrujte směrem k vám.
6. S dítětem v kočárku nepoužívejte schody ani nejezděte na eskalátorech.
7. U nově narozených dětí používejte vždy nejvíce sklopenou polohu kočárku.
8. Když dítě ukládáte do kočárku nebo ho z něj vyjímáte, brzda musí být vždy zajištěna. Vždy používejte parkovací brzdu, i když zastavíte pouze na malou chvíli.
9. Používejte pouze příslušenství nebo náhradní díly dodávané nebo schválené výrobcem. Používání jiného příslušenství by mohlo být nebezpečné.

10. U kočárků s příslušenstvím (v závislosti na verzi) prosím respektujte níže uvedené limity pro maximální povolenou váhu: Maximální povolená váha pro pultík na hraní jsou 2 kg. Maximální povolená váha pro síťovou tašku jsou 2 kg. Maximální povolená váha pro závesnou tašku je 1 kg. Maximální povolená váha pro úložný koš jsou 2 kg."

#### ČIŠTĚNÍ A ÚDRŽBA

- Kočárek Quinny Buzz Xtra často čistěte a pravidelně provádějte jeho údržbu.
- Rám a nákupní košík čistěte pravidelně vlhkým hadrem. Nepoužívejte abrazivní čisticí prostředky.
- Při dešti vždy používejte k ochraně látkového potahu pláštěnku.
- Po použití v dešti otřete kočárek měkkým, savým hadrem.
- Jednou měsíčně snímejte odpojitelná kola, vyčistěte nápravy a naneste na ně suchý teflonový sprej. Nikdy nepoužívejte vazelínu, mazadlo nebo silikonová maziva.

#### TŘÍDĚNÍ ODPADU

Z důvodu ochrany životního prostředí vás žádáme, abyste oddělili balicí materiál kočárku Quinny Buzz Xtra a na konci životnosti kočárku oddělili jednotlivé jeho součásti a řádně je zlikvidovali.

## Záruka a kontaktní informace

### ZÁRUKA

Naše 24měsíční záruka svědčí o naší důvěře v mimořádnou kvalitu našeho designu, technologií, výroby a funkčnosti výrobku. Zaručujeme, že byl tento výrobek vyroben v souladu s platnými evropskými bezpečnostními předpisy a normami jakosti, které se vztahují na tento výrobek, a že nemá daný výrobek v době nákupu žádné vady materiálu a provedení.

24měsíční záruka se vztahuje na veškeré výrobní vady materiálu a provedení, je-li výrobek používán v běžných podmínkách a v souladu s pokyny uvedenými v uživatelské příručce. Žádáte-li během 24měsíční záruční lhůty o opravu nebo náhradní díly na základě záruky na vady materiálu a provedení, musíte před požádáním o poskytnutí takové služby předložit doklad o koupi výrobku.

24měsíční záruka se nevztahuje na škody způsobené běžným opotřebením, nehodami, nesprávným používáním, nedbalostí nebo nedodržením pokynů uvedených v této uživatelské příručce. Příklady běžného opotřebením zahrnují kola a tkaniny opotřebené pravidelným užíváním a přirozený rozklad barev a materiálů v důsledku stáří výrobku nebo dlouhodobého používání.

Jak postupovat při zjištění vad:  
V případě problémů nebo vad se pro rychlé poskytnutí služby obraťte na svého distributora Quinny nebo obchodníka, kteří uznávají tuto 24měsíční záruku (1). Během 24měsíční záruční lhůty musíte před požádáním o poskytnutí služby předložit doklad o koupi výrobku. Nejjednodušším způsobem je získání předběžného souhlasu servisu Quinny s žádostí o poskytnutí služby. Škody, na které se záruka nevztahuje, mohou být vyřízeny za přiměřený poplatek.

Tato záruka je v souladu s evropskou směrnicí č. 99/44/ES z 25. května 1999.

(1) Výrobky pořizované od obchodníků nebo dealerů, kteří odstraňují nebo mění štítky nebo čísla výrobce, jsou považovány za nedovolené. Na tyto výrobky se nevztahuje žádná záruka, jelikož nelze ověřit pravost těchto výrobků.

Feel free to walk  
your way